

DEFINITIF MR16 GE

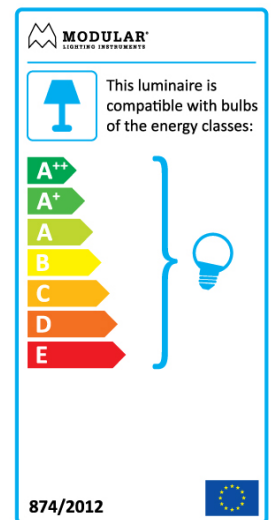
Over the years Modular has developed extremely modular fittings, and Definitif is one of them. Definitif Stick connects to Modupoint and is actually no more than a stylish bar which is available in three lengths. This clicks onto an articulated fitting such as Definitif Unit or directly onto a light source such as Drum II .

Art. Nr. 10050105

SPECIFICATIONS

Lamp	1x QR-CBC 51 Gu 5.3 max. 50W
Gear / Transfo	transfo not incl.
Weight	0.07kg
Min. Distance	0.5 m
Power supply	12V
IP	IP20
Glow Wire Test	960°
Remark	! to be installed with stick and Modupoint (not included)

alu	10050105
black	10050102
white struc	10050101



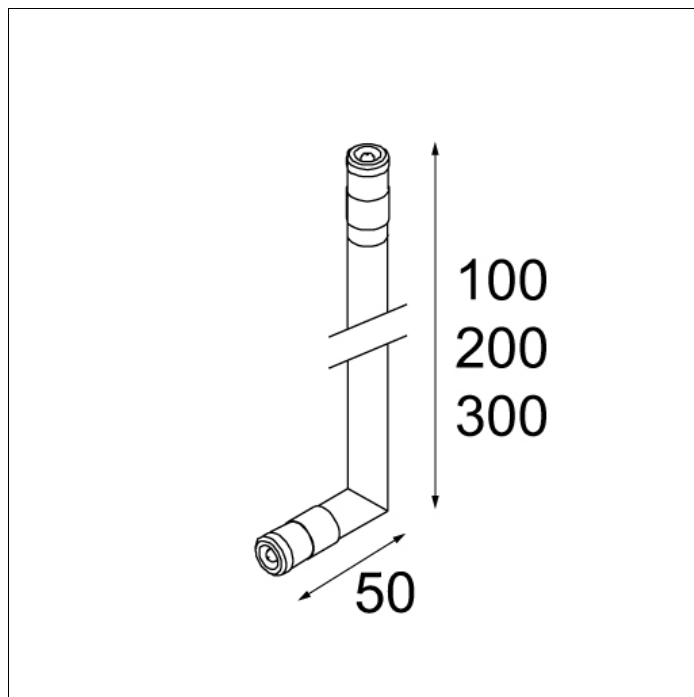
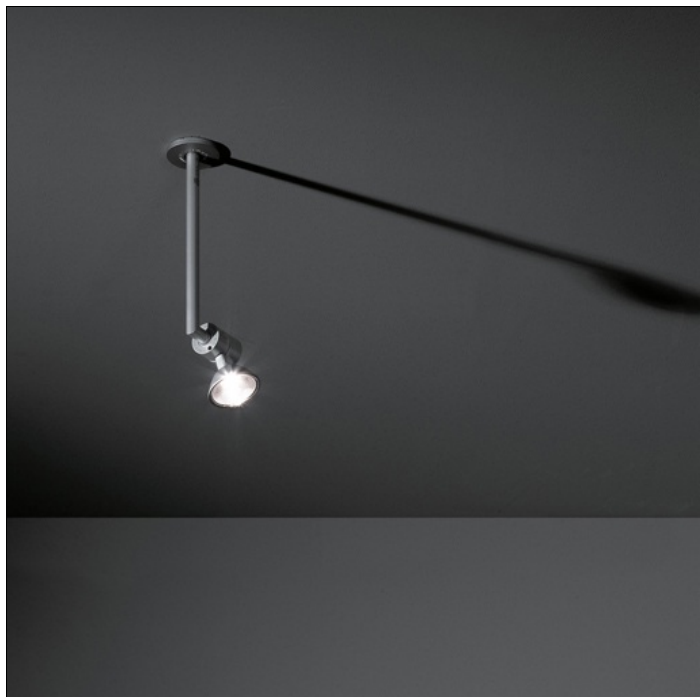
MODULAR
LIGHTING INSTRUMENTS

This luminaire is compatible with bulbs of the energy classes:

A++
A+
A
B
C
D
E

874/2012





DEFINITIF STICK 10CM

Over the years Modular has developed extremely modular fittings, and Definitif is one of them. Definitif Stick connects to Modupoint and is actually no more than a stylish bar which is available in three lengths. This clicks onto an articulated fitting such as Definitif Unit or directly onto a light source such as Drum II .

Art. Nr. 10040205

SPECIFICATIONS

Lamp	1x
Gear / Transfo	
Weight	0.07kg
Min. Distance	
Power supply	12V
IP	IP20
Glow Wire Test	960°

alu	10040205
black	10040202
white struc	10040201

