

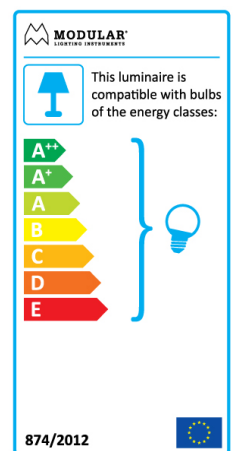
MULTIPLE SURFACE 2X AR111/ 1X TI

Twenty years after its initial launch, Multiple is still a coveted fitting. The versatile Multiple leaves nothing to the imagination with the technology on full display, allowing this fitting to fit well into both a minimalist and an industrial-chic environment. The gimballed system allows you to direct the light source at any angle of your choice. Available in a recessed version (Multiple trimless) or for surface mounting in a sleek aluminium housing (Multiple surface). Mini-multiple is a smaller recessed version, which is available trimless or with a trim.

Art. Nr. 10230305

SPECIFICATIONS

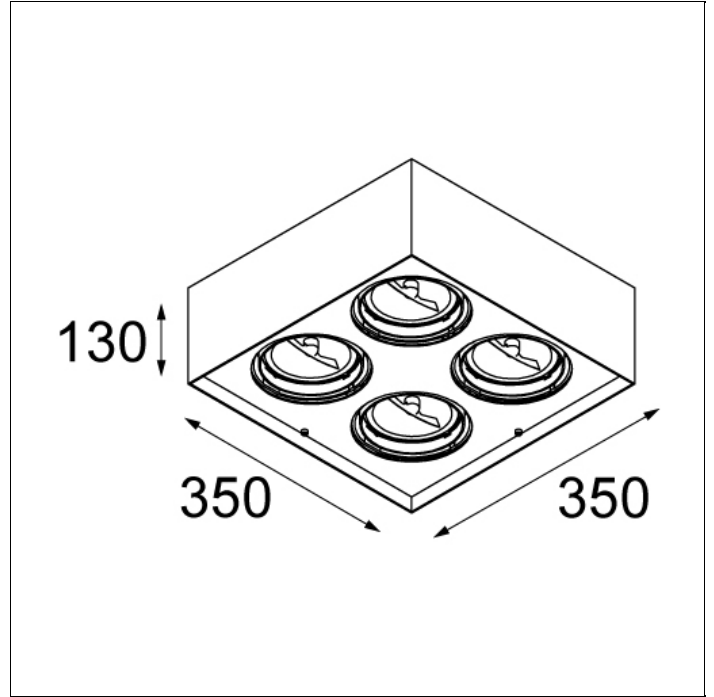
Lamp	2x QR-LP 111 G53 50W
Gear / Transfo	transfo incl., electronic
Weight	4.4kg
Min. Distance	0.7 m
Power supply	230V
IP	IP20
Glow Wire Test	960°
CRI	100
Lumen	1080 Lm
Efficacy	10 Lm/W
UGR	10



alu

10230305





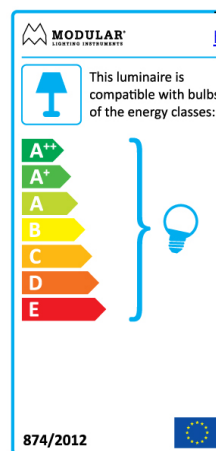
MULTIPLE SURFACE 4X AR111 GI

Twenty years after its initial launch, Multiple is still a coveted fitting. The versatile Multiple leaves nothing to the imagination with the technology on full display, allowing this fitting to fit well into both a minimalist and an industrial-chic environment. The gimballed system allows you to direct the light source at any angle of your choice. Also available in a recessed version.

Art. Nr. 10230405

SPECIFICATIONS

Lamp	4x QR-LP 111 G53 50W
Gear / Transfo	transfo incl., electronic
Weight	7.3kg
Min. Distance	1.0 m
Power supply	230V
IP	IP20
Glow Wire Test	960°
CRI	100
Lumen	2160 Lm
Efficacy	10 Lm/W
UGR	10



This label is available in other languages:
<http://supermodular.com/assets/TYPE3.pdf>

alu

10230405

