

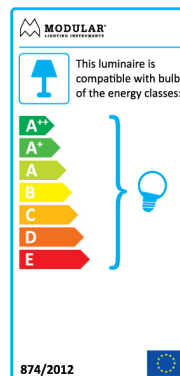
## NOMAD 2X AR111 GE

Nomad is a classic. This refined, industrial fitting with its visible wiring is perfect for highlighting your favourite elements in your interior. The family comprises a wide range of lighting solutions. For example, the flexible arm allows Nomad to travel a certain distance, or you can give Nomad a different look with one of the four Smart rings. Nomad minimal also combines with various shades to create a homely atmosphere. Finally, Nomad linestra combines the system with a bare strip light.

Art. Nr. 10200905

### SPECIFICATIONS

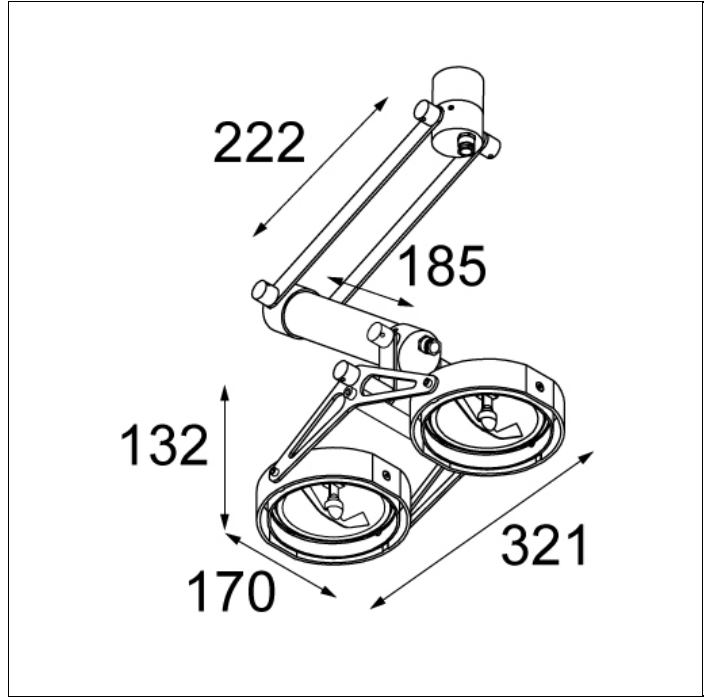
Lamp	2x QR-LP 111 G53 max. 50W
Gear / Transfo	transfo not incl.
Weight	0.78kg
Min. Distance	0.7 m
Power supply	12V
IP	IP20
Glow Wire Test	960°
CRI	100
Lumen	1080 Lm
Efficacy	11 Lm/W
UGR	10
Remark	! base flange optional



This label is available in other languages:  
<http://supermodular.com/assets/TYPE3.pdf>

alu	10200905
black	10200902
white struc	10200909





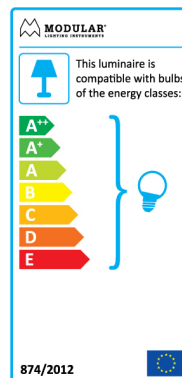
## NOMAD 2X AR111 GI

Nomad is a classic. This refined, industrial fitting with its visible wiring is perfect for highlighting your favourite elements in your interior. The family comprises a wide range of lighting solutions. For example, the flexible arm allows Nomad to travel a certain distance, or you can give Nomad a different look with one of the four Smart rings. Nomad minimal also combines with various shades to create a homely atmosphere. Finally, Nomad linestra combines the system with a bare strip light.

Art. Nr. 10201105

### SPECIFICATIONS

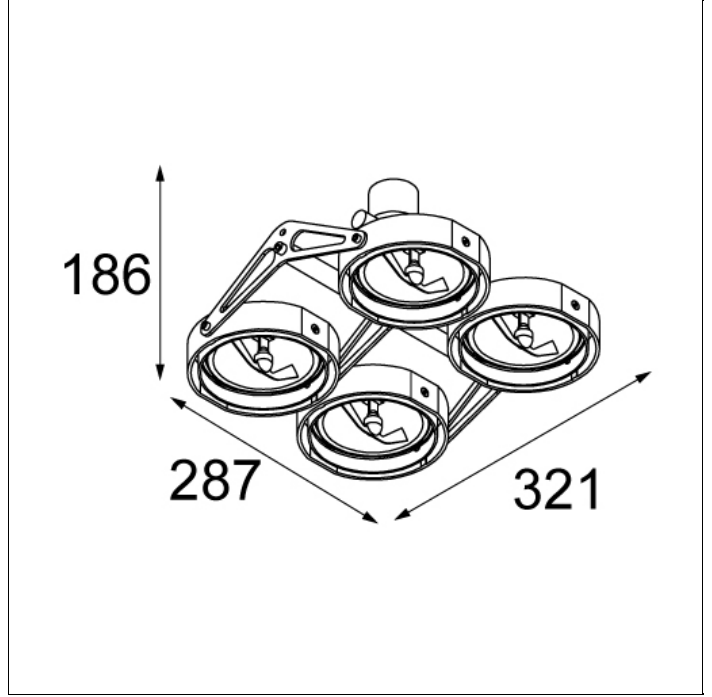
Lamp	2x QR-LP 111 G53 max. 50W
Gear / Transfo	transfo incl., electronic
Weight	1.31kg
Min. Distance	0.7 m
Power supply	230V
IP	IP20
Glow Wire Test	960°
CRI	100
Lumen	1080 Lm
Efficacy	11 Lm/W
UGR	10
Remark	! base flange optional



This label is available in other languages:  
<http://supermodular.com/assets/TYPE3.pdf>

alu	10201105
black	10201102
white struc	10201109





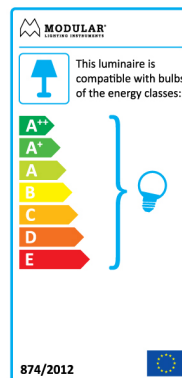
## NOMAD 4X AR111 GE

Nomad is a classic. This refined, industrial fitting with its visible wiring is perfect for highlighting your favourite elements in your interior. The family comprises a wide range of lighting solutions. For example, the flexible arm allows Nomad to travel a certain distance, or you can give Nomad a different look with one of the four Smart rings. Nomad minimal also combines with various shades to create a homely atmosphere. Finally, Nomad linestra combines the system with a bare strip light.

Art. Nr. 10201005

### SPECIFICATIONS

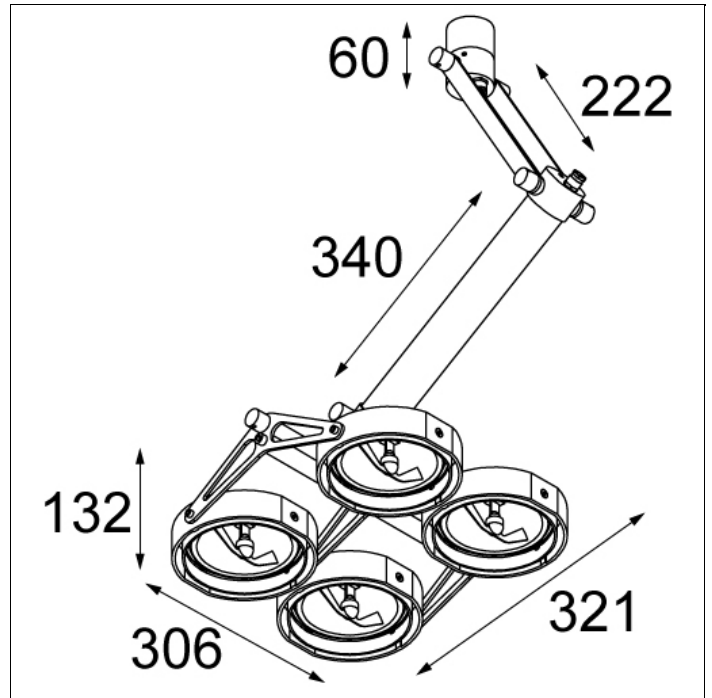
Lamp	4x QR-LP 111 G53 max. 50W
Gear / Transfo	transfo not incl.
Weight	1.24kg
Min. Distance	1.0 m
Power supply	12V
IP	IP20
Glow Wire Test	960°
CRI	100
Lumen	2160 Lm
Efficacy	11 Lm/W
UGR	10
Remark	! base flange optional



This label is available in other languages:  
<http://supermodular.com/assets/TYPE3.pdf>

alu	10201005
black	10201002
white struc	10201009





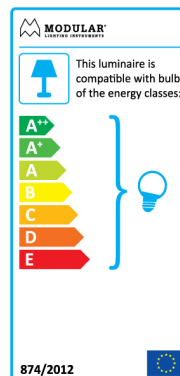
## NOMAD 4X AR111 GI

Nomad is a classic. This refined, industrial fitting with its visible wiring is perfect for highlighting your favourite elements in your interior. The family comprises a wide range of lighting solutions. For example, the flexible arm allows Nomad to travel a certain distance, or you can give Nomad a different look with one of the four Smart rings. Nomad minimal also combines with various shades to create a homely atmosphere. Finally, Nomad linestra combines the system with a bare strip light.

Art. Nr. 10201305

### SPECIFICATIONS

Lamp	4x QR-LP 111 G53 max. 50W
Gear / Transfo	transfo incl., electronic
Weight	2.17kg
Min. Distance	1.0 m
Power supply	230V
IP	IP20
Glow Wire Test	960°
CRI	100
Lumen	2160 Lm
Efficacy	11 Lm/W
UGR	10
Remark	! base flange optional



This label is available in other languages:  
<http://supermodular.com/assets/TYPE3.pdf>

alu	10201305
black	10201302
white struc	10201309

