

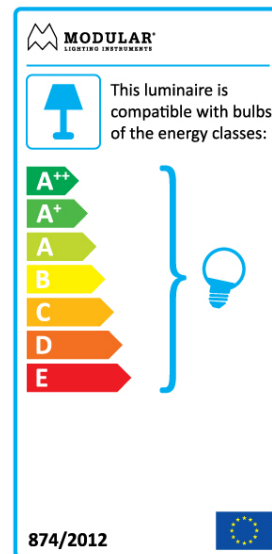
HALOSCAN 128 AR70 GE

Haloscan gives you a unique lighting universe on the ceiling. Its shape is reminiscent of the ring of light which sometimes appears around the sun or the moon. As it is directional, the fitting is handy in any room. Haloscan is a wide spotlight. Available with a diameter of 160 mm or as a Mini-haloscan, with a diameter of 114 mm.

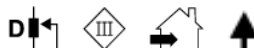
Art. Nr. 10300105

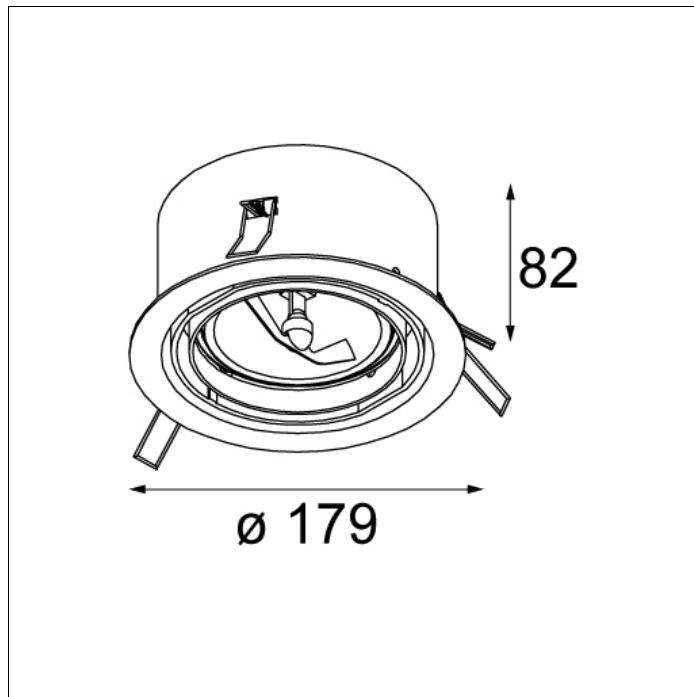
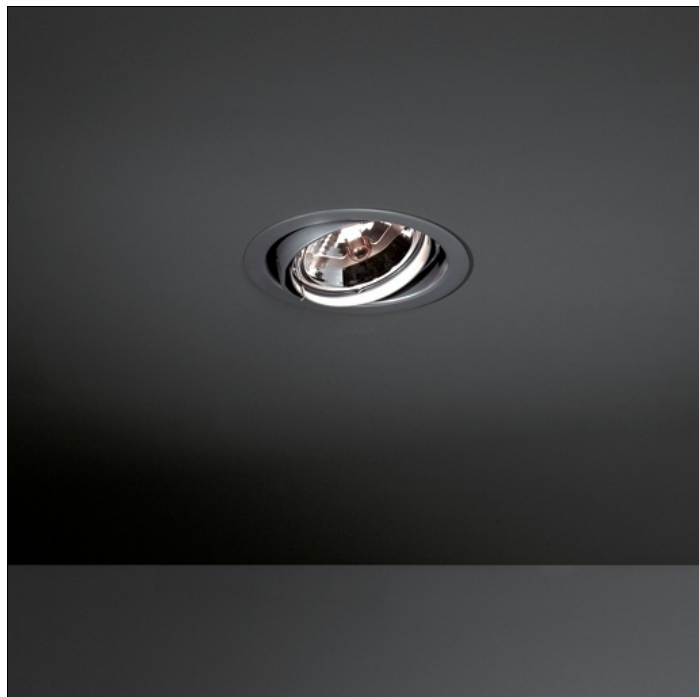
SPECIFICATIONS

| | |
|----------------|----------------------------|
| Lamp | 1x QR-LP 70 Ba15d max. 50W |
| Gear / Transfo | transfo not incl. |
| Cut-out size | ø 114 h 80 |
| Weight | 0.18kg |
| Min. Distance | 0.5 m |
| Power supply | 12V |
| IP | IP20 |
| Glow Wire Test | 960° |



| | |
|-------------|----------|
| alu | 10300105 |
| black | 10300102 |
| white struc | 10300101 |





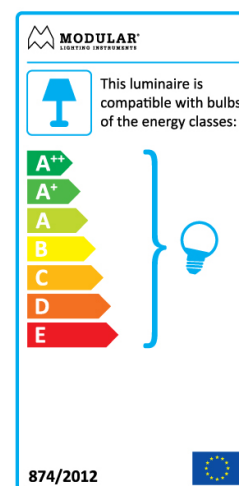
HALOSCAN 179 AR111 GE

Haloscan gives you a unique lighting universe on the ceiling. Its shape is reminiscent of the ring of light which sometimes appears around the sun or the moon. As it is directional, the fitting is handy in any room. Haloscan is a wide spotlight. Available with a diameter of 160 mm or as a Mini-haloscan, with a diameter of 114 mm.

Art. Nr. 10300405

SPECIFICATIONS


| | |
|----------------|------------------------------------|
| Lamp | 1x QR-LP 111 G53 max. 50W |
| Gear / Transfo | transfo not incl. |
| Cut-out size | ø 160 h 100 |
| Weight | 0.5kg |
| Min. Distance | 0.5 m |
| Power supply | 12V |
| IP | IP20 |
| Glow Wire Test | 960° |
| Remark | ! compatible with LED module AR111 |



MODULAR
LIGHTING INSTRUMENTS

This luminaire is compatible with bulbs of the energy classes:

A++
A+
A
B
C
D
E

874/2012 

| | |
|-------------|----------|
| alu | 10300405 |
| black | 10300402 |
| white struc | 10300401 |

