

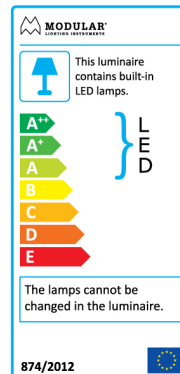
## SLIDE SQUARE LED GE

Slide is a recessed fitting in which the light source is deeply recessed inside the frame. The lamp got its name as its shape literally makes the light slide out. Playing with different colours for the frame and the interior makes it easy to integrate Slide into any room. Available in a square or rectangular version, with twin or single lights. Also available in IP44 (with polycarbonate) for use in the bathroom.

Art. Nr. 10488505

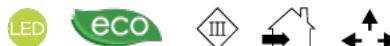
## SPECIFICATIONS

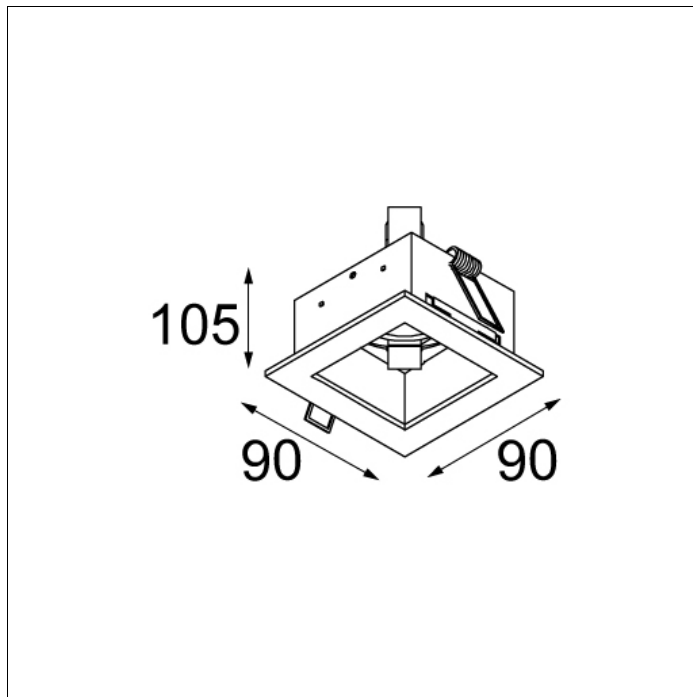
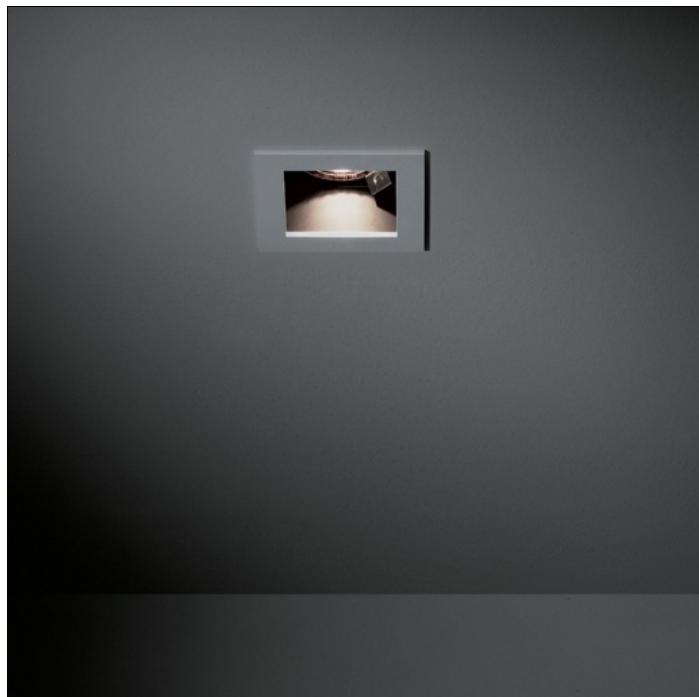
Lamp	1x LED Array 10.5W
Gear / Transfo	LED gear not incl.
Cut-out size	l 67 w 83 h 130
Weight	0.3kg
Min. Distance	0.1 m
Power supply	500mA/ 21V DC
IP	IP20
Glow Wire Test	960°
Source lifetime	50000 hrs
CRI	92
Lumen	462 Lm
Efficacy	42 Lm/W
UGR	10



This label is available in other languages:  
<http://supermodular.com/assets/TYPE2.pdf>

	WARM WHITE 2700K / CRI 92+		NEUTRAL WHITE 4000K / CRI 82+	
	FLOOD 45°	MEDIUM 30°	FLOOD 45°	MEDIUM 30°
alu-black	10488405	<b>10488505</b>	10488605	10488705
white struc	10488409	10488509	10488609	10488709
white struc-black	10488429	10488529	10488629	10488729





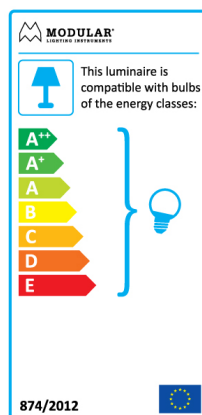
## SLIDE SQUARE MR16 GE

Slide is a recessed fitting in which the light source is deeply recessed inside the frame. The lamp got its name as its shape literally makes the light slide out. Playing with different colours for the frame and the interior makes it easy to integrate Slide into any room. Available in a square or rectangular version, with twin or single lights. Also available in IP44 (with polycarbonate) for use in the bathroom.

Art. Nr. 10480105

### SPECIFICATIONS

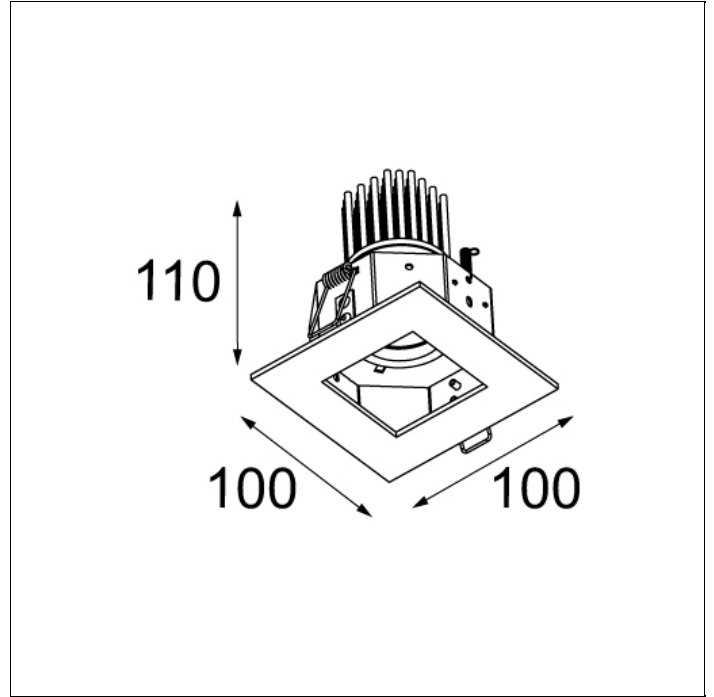
Lamp	1x QR-CBC 51 Gu 5.3 max. 50W
Gear / Transfo	transfo not incl.
Cut-out size	l 67 w 83 h 130
Weight	0.3kg
Min. Distance	0.5 m
Power supply	12V
IP	IP20
Glow Wire Test	960°
CRI	100
Lumen	1030 Lm
Efficacy	21 Lm/W
UGR	24



This label is available in other languages:  
<http://supermodular.com/assets/TYPE3.pdf>

alu-black	10480105
white struc	10480109
white struc-black	10480129





## SLIDE SQUARE CLOCKWORK LED GE

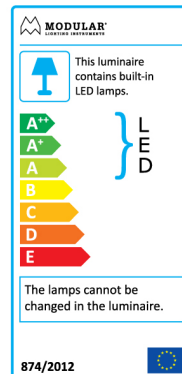
Slide is a recessed fitting in which the light source is deeply recessed inside the frame. The lamp got its name as its shape literally makes the light slide out. Playing with different colours for the frame and the interior makes it easy to integrate Slide into any room. Available in a square or rectangular version, with twin or single lights. Also available in IP44 (with poly carbonate) for use in the bathroom.

Art. Nr. 10487705

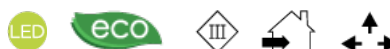
### SPECIFICATIONS

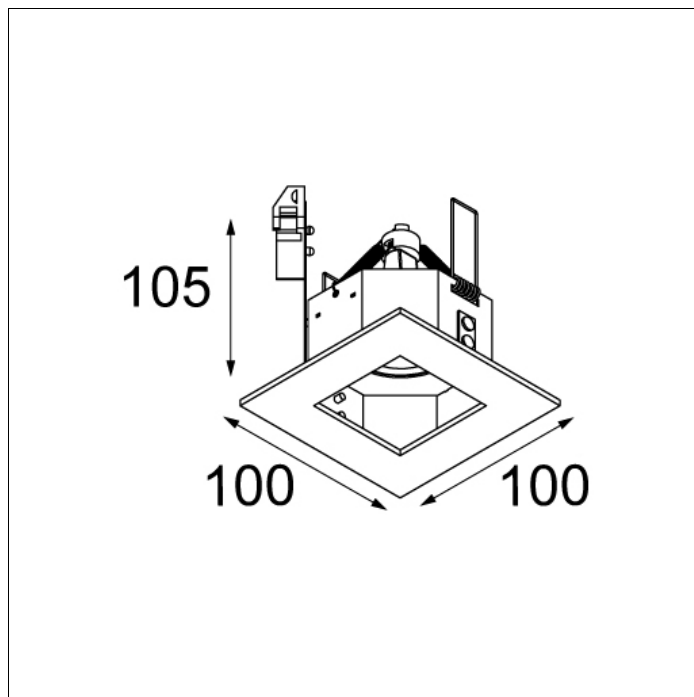
Lamp	1x LED Array 10.5W
Gear / Transfo	LED gear not incl.
Cut-out size	ø 92 h 130
Weight	0.35kg
Min. Distance	0.1 m
Power supply	500mA/ 21V DC
IP	IP20
Glow Wire Test	960°
Source lifetime	50000 hrs
CRI	92
Lumen	462 Lm
Efficacy	42 Lm/W
UGR	10

	WARM WHITE 2700K / CRI 92+		NEUTRAL WHITE 4000K / CRI 82+	
	FLOOD 45°	MEDIUM 30°	FLOOD 45°	MEDIUM 30°
alu-black	10487605	<b>10487705</b>	10487805	10487905
white struc	10487609	10487709	10487809	10487909
white struc-black	10487629	10487729	10487829	10487929



This label is available in other languages:  
<http://supermodular.com/assets/TYPE2.pdf>





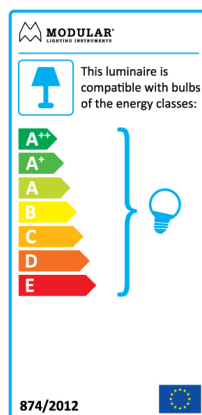
## SLIDE SQUARE CLOCKWORK MR16 GE

Slide is a recessed fitting in which the light source is deeply recessed inside the frame. The lamp got its name as its shape literally makes the light slide out. Playing with different colours for the frame and the interior makes it easy to integrate Slide into any room. Available in a square or rectangular version, with twin or single lights. Also available in IP44 (with poly carbonate) for use in the bathroom.

Art. Nr. 10480505

### SPECIFICATIONS

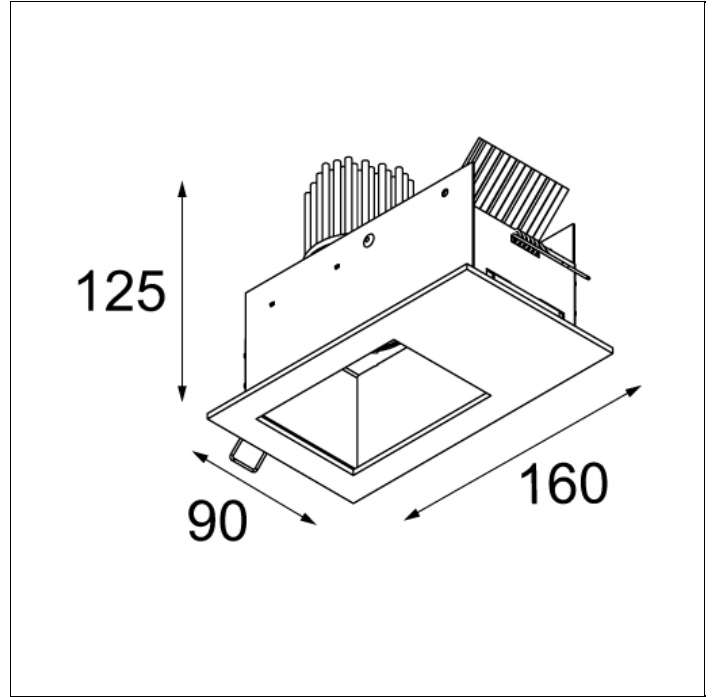
Lamp	1x QR-CBC 51 Gx5.3 max. 50W
Gear / Transfo	transfo not incl.
Cut-out size	ø 92 h 130
Weight	0.35kg
Min. Distance	0.5 m
Power supply	12V
IP	IP20
Glow Wire Test	960°
CRI	100
Lumen	1030 Lm
Efficacy	21 Lm/W
UGR	24



This label is available in other languages:  
<http://supermodular.com/assets/TYPE3.pdf>

alu-black	10480505
white struc	10480509
white struc-black	10480529





## SLIDE TWIN LED GE

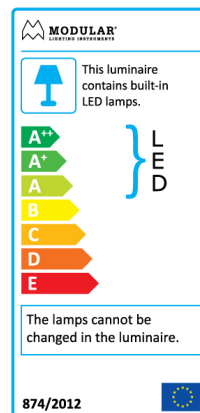
Slide is a recessed fitting in which the light source is deeply recessed inside the frame. The lamp got its name as its shape literally makes the light slide out. Playing with different colours for the frame and the interior makes it easy to integrate Slide into any room. Available in a square or rectangular version, with twin or single lights. Also available in IP44 (with poly carbonate) for use in the bathroom.

Art. Nr. 10488905

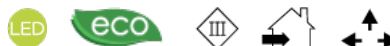
## SPECIFICATIONS

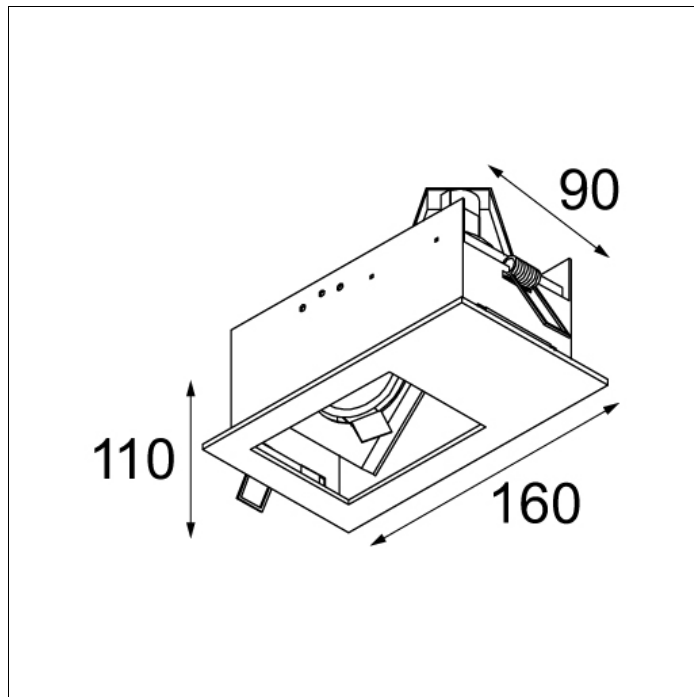
Lamp	2x LED Array 10.5W
Gear / Transfo	LED gear not incl.
Cut-out size	l 150 w 70 h 130
Weight	0.59kg
Min. Distance	0.1 m
Power supply	500mA/ 21V DC
IP	IP20
Glow Wire Test	960°
Source lifetime	50000 hrs
CRI	92
Lumen	557.84 Lm
Efficacy	69 Lm/W

	WARM WHITE 2700K / CRI 92+		NEUTRAL WHITE 4000K / CRI 82+	
	FLOOD 45°	MEDIUM 30°	FLOOD 45°	MEDIUM 30°
alu-black	10488805	<b>10488905</b>	10489005	10489105
white struc	10488809	10488909	10489009	10489109
white struc-black	10488829	10488929	10489029	10489129



This label is available in other languages:  
<http://supermodular.com/assets/TYPE2.pdf>





## SLIDE TWIN MR16 GE

Slide is a recessed fitting in which the light source is deeply recessed inside the frame. The lamp got its name as its shape literally makes the light slide out. Playing with different colours for the frame and the interior makes it easy to integrate Slide into any room. Available in a square or rectangular version, with twin or single lights. Also available in IP44 (with poly carbonate) for use in the bathroom.

Art. Nr. 10480305

### SPECIFICATIONS

Lamp	2x QR-CBC 51 Gu 5.3 max. 50W
Gear / Transfo	transfo not incl.
Cut-out size	l 150 w 70 h 130
Weight	0.59kg
Min. Distance	0.7 m
Power supply	12V
IP	IP20
Glow Wire Test	960°

This label is available in other languages: <http://supermodular.com/assets/TYPE3.pdf>

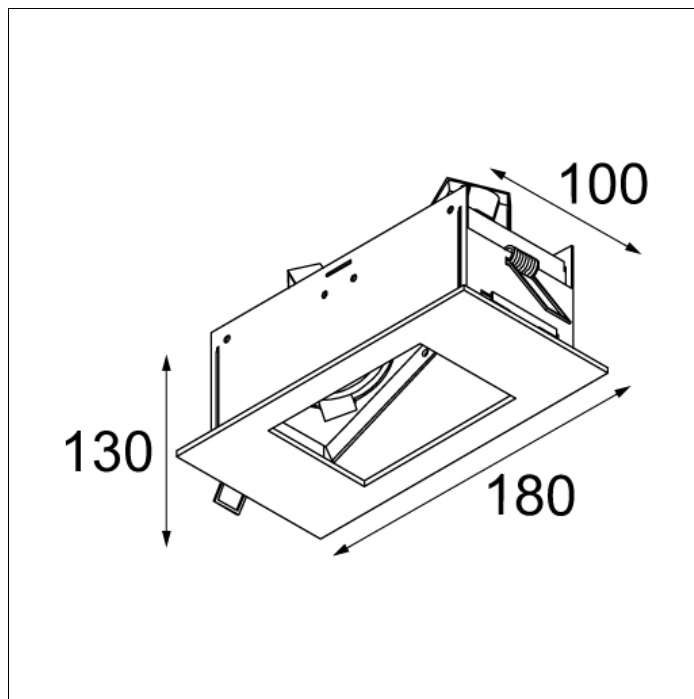
This luminaire is compatible with bulbs of the energy classes:

**A++**  
**A+**  
**A**  
**B**  
**C**  
**D**  
**E**

874/2012

alu-black	10480305
white struc	10480309
white struc-black	10480329





## SLIDE DOUBLE MR16 GE

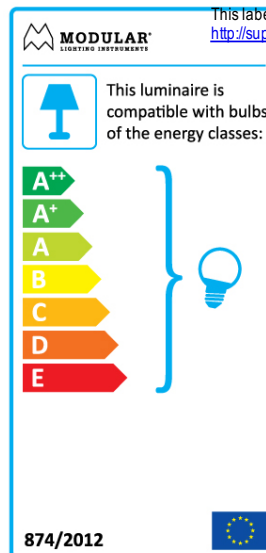
Slide is a recessed fitting in which the light source is deeply recessed inside the frame. The lamp got its name as its shape literally makes the light slide out. Playing with different colours for the frame and the interior makes it easy to integrate Slide into any room. Available in a square or rectangular version, with twin or single lights. Also available in IP44 (with poly carbonate) for use in the bathroom.

Art. Nr. 10480405

### SPECIFICATIONS

Lamp	2x QR-CBC 51 Gu 5.3 max. 50W
Gear / Transfo	transfo not incl.
Cut-out size	l 170 w 70 h 130
Weight	0.7kg
Min. Distance	0.7 m
Power supply	12V
IP	IP20
Glow Wire Test	960°

This label is available in other languages:  
<http://supermodular.com/assets/TYPE3.pdf>



This luminaire is compatible with bulbs of the energy classes:

**A++**  
**A+**  
**A**  
**B**  
**C**  
**D**  
**E**

874/2012

alu-black	10480405
white struc	10480409
white struc-black	10480429

