

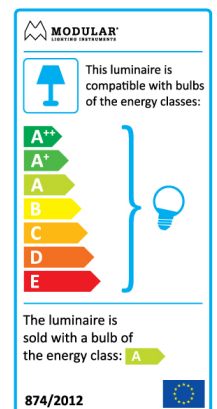
VECTOR IP55 1X LED <450LM GI

Vector is a versatile outdoor family for people who like playing with geometry. Vector takes a cylinder as its base and uses pivot points and pedestals to make the fitting highly directional. The bulb holder can be identified by the subtle line which encircles the cylinder. The wall-mounted version of Vector comes with one or two directional bulb holders, or you can choose a simple cylinder which functions as an up- and/or downlighter. Also available for surface mounting on the ceiling.

Art. Nr. 10701419

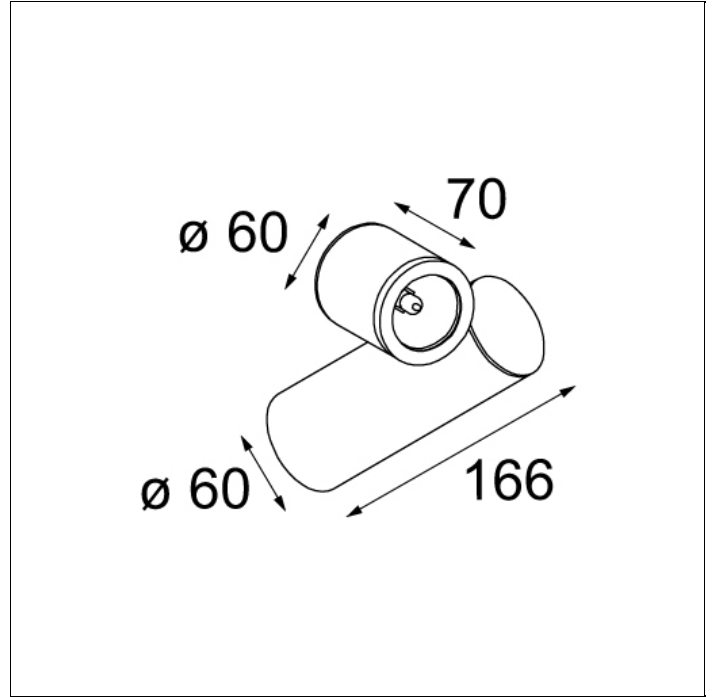
SPECIFICATIONS

Lamp	1x LED Gx5.3 6.5W
Gear / Transfo	LED gear incl.
Weight	0.75kg
Min. Distance	0.1 m
Power supply	230V
IP	IP55
Glow Wire Test	960°
Source lifetime	45000 hrs
CRI	80
Lumen	380 Lm
Efficacy	51 Lm/W
UGR	12



	WARM WHITE 2700K / CRI 80+
	MEDIUM 35°
alu struc	10701419





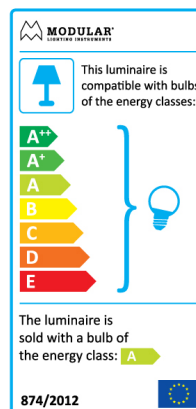
VECTOR IP55 1X LED RETROFIT GI

Vector is a versatile outdoor family for people who like playing with geometry. Vector takes a cylinder as its base and uses pivot points and pedestals to make the fitting highly directional. The bulb holder can be identified by the subtle line which encircles the cylinder. The wall-mounted version of Vector comes with one or two directional bulb holders, or you can choose a simple cylinder which functions as an up- and/or downlighter. Also available for surface mounting on the ceiling.

Art. Nr. 10701419

SPECIFICATIONS

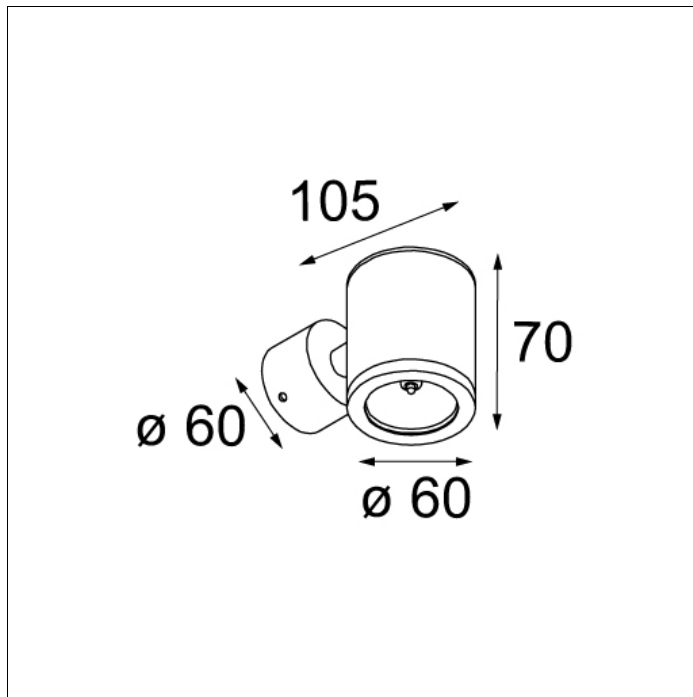
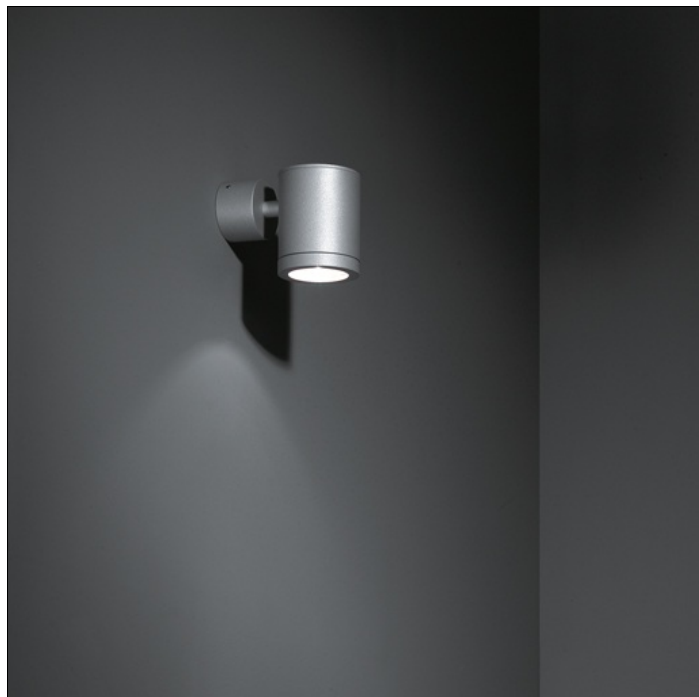
Lamp	1x LED Gx5.3 6.5W
Gear / Transfo	
Weight	0.75kg
Min. Distance	0.1 m
Power supply	230V
IP	
Glow Wire Test	960°
Source lifetime	45000 hrs
CRI	80
Lumen	380 Lm
Efficacy	51 Lm/W
UGR	12



This label is available in other languages:
<http://supermodular.com/assets/TYPE1.pdf>

	WARM WHITE 2700K / CRI 80+
	MEDIUM 35°
alu struc	10701419





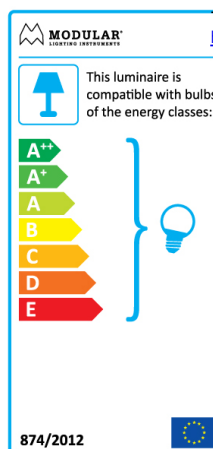
VECTOR IP55 1X MR16 GE

Vector is a versatile outdoor family for people who like playing with geometry. Vector takes a cylinder as its base and uses pivot points and pedestals to make the fitting highly directional. The bulb holder can be identified by the subtle line which encircles the cylinder. The wall-mounted version of Vector comes with one or two directional bulb holders, or you can choose a simple cylinder which functions as an up- and/or downlighter. Also available for surface mounting on the ceiling.

Art. Nr. 10700119

SPECIFICATIONS

Lamp	1x QR-C 51 Gx5.3 max. 35W
Gear / Transfo	
Weight	0.4kg
Min. Distance	0.5 m
Power supply	12V
IP	
Glow Wire Test	960°
CRI	100
Lumen	640 Lm
Efficacy	18 Lm/W
UGR	20

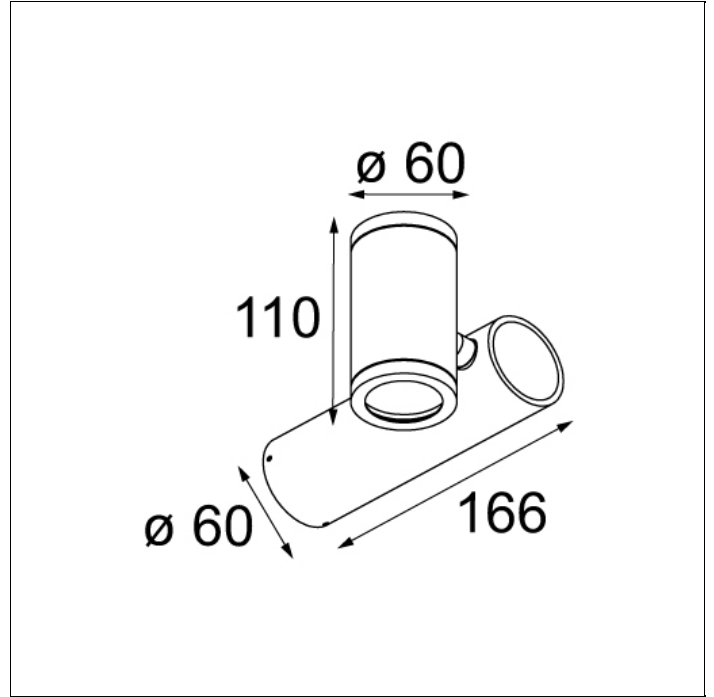


This label is available in other languages:
<http://supermodular.com/assets/TYPE3.pdf>

alu struc

10700119





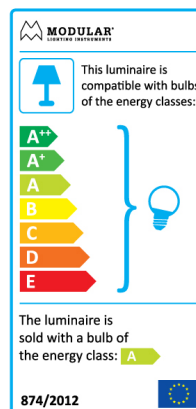
VECTOR UP/DOWN IP55 2X LED RETROFIT GI

Vector is a versatile outdoor family for people who like playing with geometry. Vector takes a cylinder as its base and uses pivot points and pedestals to make the fitting highly directional. The bulb holder can be identified by the subtle line which encircles the cylinder. The wall-mounted version of Vector comes with one or two directional bulb holders, or you can choose a simple cylinder which functions as an up- and/or downlighter. Also available for surface mounting on the ceiling.

Art. Nr. 10701819

SPECIFICATIONS

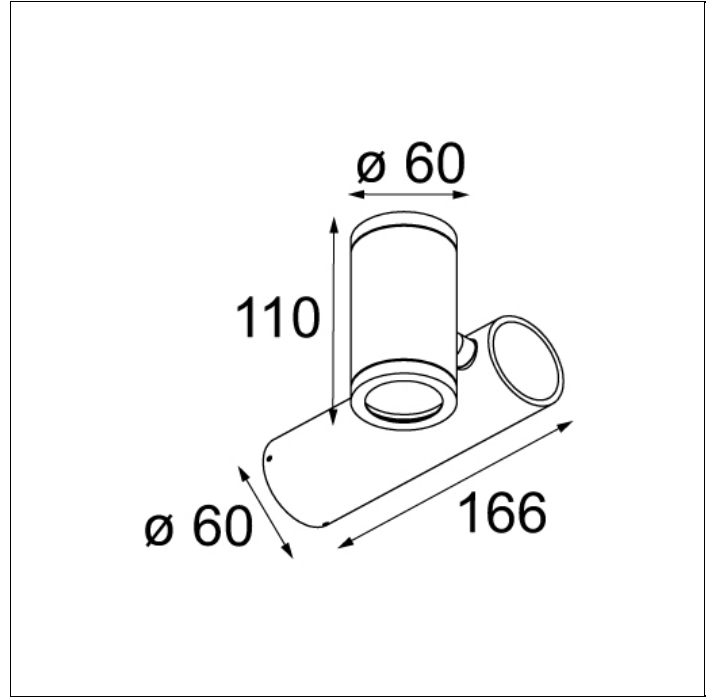
Lamp	2x LED Gx5.3 6.5W
Gear / Transfo	
Weight	1.2kg
Min. Distance	0.1 m
Power supply	230V
IP	
Glow Wire Test	960°
Source lifetime	45000 hrs
CRI	80
Lumen	760 Lm
Efficacy	51 Lm/W
UGR	8



This label is available in other languages:
<http://supermodular.com/assets/TYPE1.pdf>

	WARM WHITE 2700K / CRI 80+
	MEDIUM 35°
alu struc	10701819





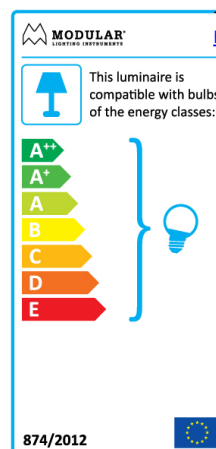
VECTOR UP/DOWN IP55 2X MR16 GI

Vector is a versatile outdoor family for people who like playing with geometry. Vector takes a cylinder as its base and uses pivot points and pedestals to make the fitting highly directional. The bulb holder can be identified by the subtle line which encircles the cylinder. The wall-mounted version of Vector comes with one or two directional bulb holders, or you can choose a simple cylinder which functions as an up- and/or downlighter. Also available for surface mounting on the ceiling.

Art. Nr. 10700819

SPECIFICATIONS

Lamp	2x QR-C 51 Gx5.3 max. 2x 20W
Gear / Transfo	
Weight	1.2kg
Min. Distance	0.5 m
Power supply	230V
IP	
Glow Wire Test	960°
CRI	100
Lumen	550 Lm
Efficacy	13 Lm/W
UGR	14

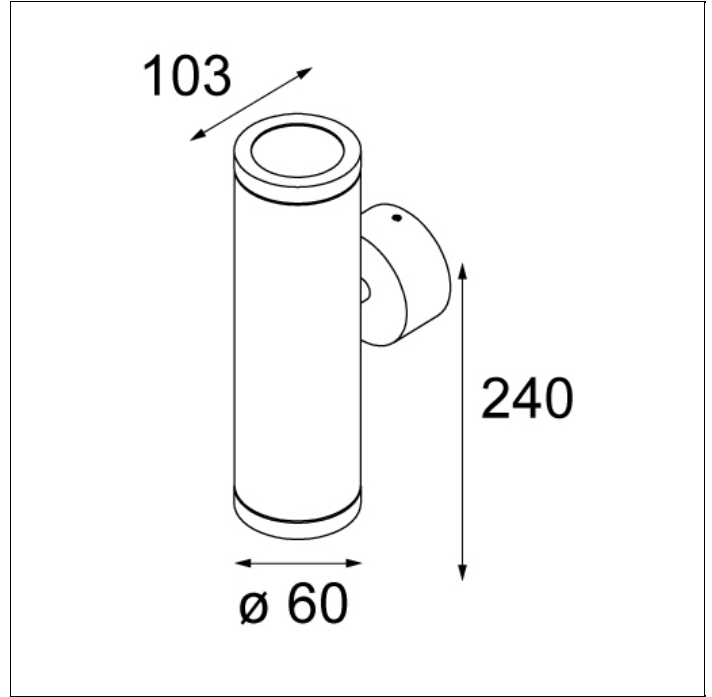


This label is available in other languages:
<http://supermodular.com/assets/TYPE3.pdf>

alu struc

10700819





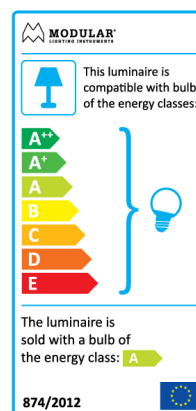
VECTOR UP/DOWN IP55 2X LED RETROFIT

Vector is a versatile outdoor family for people who like playing with geometry. Vector takes a cylinder as its base and uses pivot points and pedestals to make the fitting highly directional. The bulb holder can be identified by the subtle line which encircles the cylinder. The wall-mounted version of Vector comes with one or two directional bulb holders, or you can choose a simple cylinder which functions as an up- and/or downlighter. Also available for surface mounting on the ceiling.

Art. Nr. 10701219

SPECIFICATIONS

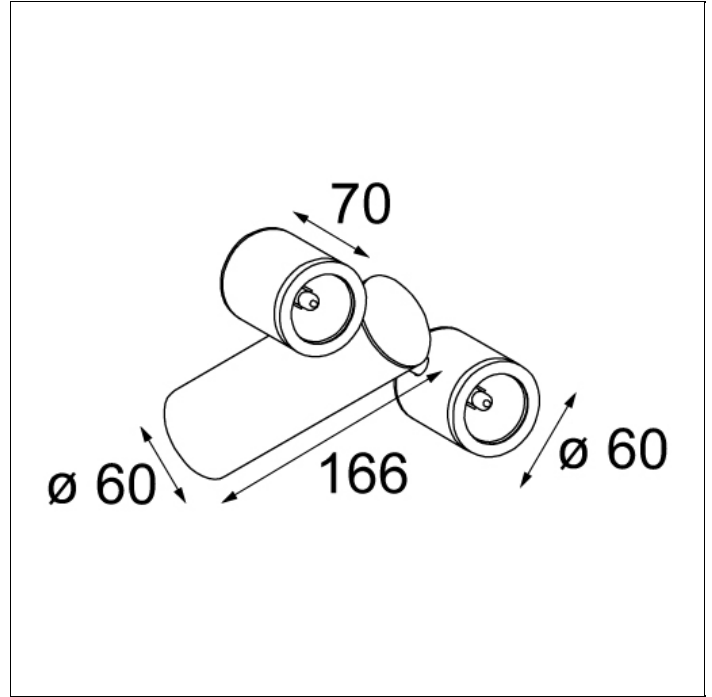
Lamp	2x LED Gu10 5.5W
Gear / Transfo	
Weight	1.2kg
Min. Distance	0.1 m
Power supply	230V
IP	
Glow Wire Test	960°
Source lifetime	40000 hrs
CRI	80
Lumen	700 Lm
Efficacy	64 Lm/W
UGR	10



This label is available in other languages:
<http://supermodular.com/assets/TYPE1.pdf>

	WARM WHITE 2700K / CRI 80+
	MEDIUM 25°
alu struc	10701219





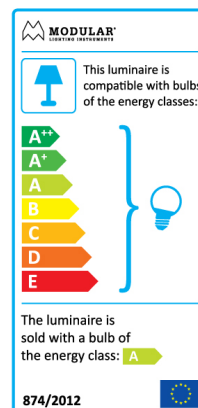
VECTOR IP55 2X LED RETROFIT GI

Vector is a versatile outdoor family for people who like playing with geometry. Vector takes a cylinder as its base and uses pivot points and pedestals to make the fitting highly directional. The bulb holder can be identified by the subtle line which encircles the cylinder. The wall-mounted version of Vector comes with one or two directional bulb holders, or you can choose a simple cylinder which functions as an up- and/or downlighter. Also available for surface mounting on the ceiling.

Art. Nr. 10701519

SPECIFICATIONS

Lamp	2x LED Gx5.3 6.5W
Gear / Transfo	
Weight	1.1kg
Min. Distance	0.1 m
Power supply	230V
IP	
Glow Wire Test	960°
Source lifetime	45000 hrs
CRI	80
Lumen	760 Lm
Efficacy	51 Lm/W
UGR	12



MODULAR LIGHTING INSTRUMENTS

This luminaire is compatible with bulbs of the energy classes:

A+
A+
A
B
C
D
E

The luminaire is sold with a bulb of the energy class: A

874/2012

This label is available in other languages:
<http://supermodular.com/assets/TYPE1.pdf>

	WARM WHITE 2700K / CRI 80+
	MEDIUM 35°
alu struc	10701519

