

# FLOS

## ARCHIMOON K

<b>Mounting</b>	Base
<b>Lamps description</b>	1 x MAX 33W G9 HSGS
<b>Environment</b>	Indoor
<b>Finish</b>	Aluminized silver
<b>Technical description</b>	Task lamp providing direct and diffused light. Acid-etched pressed borosilicate glass internal diffuser. Injection-molded PC (polycarbonate) diffuser, vacuum-aluminized inside. Gray painted die-cast aluminum diffuser support. Gray painted assembly composed of extruded aluminum arms, steel tie rods, stainless steel springs, and 50% fiberglass reinforced, injection-molded polyamide joints. Gray painted die-cast Zamak BASE.



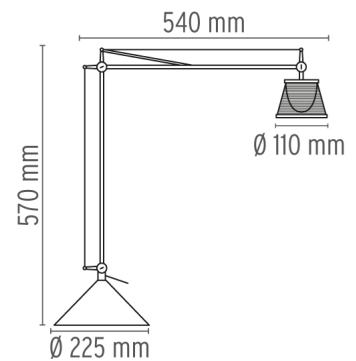
### Archimoon K

designed by Philippe Starck

Task lamp providing direct and diffused light

● F0369000 Aluminized silver

### DIMENSIONS



### ELECTRICAL

<b>Emergency Switching</b>	Without
<b>Voltage (V)</b>	The ON/OFF switch is a small, sleek stem of injection-molded transparent polycarbonate positioned at the base of the stem 230

### PHYSICAL

<b>Supply</b>	Power cord
<b>Cord length(mm)</b>	2030
<b>Construction material</b>	Aluminum, Injection-molded polycarbonate
<b>Weight (kg)</b>	5.3
<b>Minimum distance from illuminated object (mm)</b>	100

### Archimoon K . Lamps



### HSGS 33W G9

<b>Lamp Watt:</b>	33 W
<b>Lamp category:</b>	Halogen mains
<b>Socket:</b>	G9
<b>Lamp type:</b>	HSGS

### CERTIFICATIONS

