

FLOS

ARCHIMOON SOFT


Mounting	Base
Lamps description	1 x MAX 33W G9 HSGS
Environment	Indoor
Finish	Fabric
Technical description	Task lamp providing direct and diffused light. Acid-etched pressed borosilicate glass internal diffuser. Plissé cloth external diffuser. Gray painted die-cast aluminum diffuser support. Gray painted assembly composed of extruded aluminum arms, steel tie rods, stainless steel springs, and 50% fiberglass reinforced, injection-molded polyamide joints. Gray painted die-cast Zamak BASE.



Archimoon Soft

designed by Philippe Starck

Task lamp providing direct and diffused light

 F0375000 Fabric

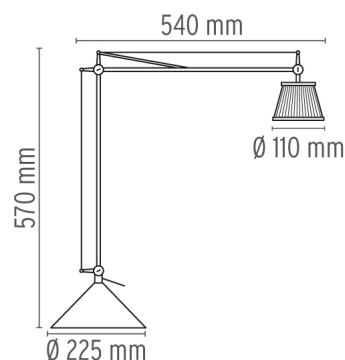
ELECTRICAL

Emergency	Without
Switching	The ON/OFF switch is a small, sleek stem of injection-molded transparent polycarbonate positioned at the base of the stem
Voltage (V)	230

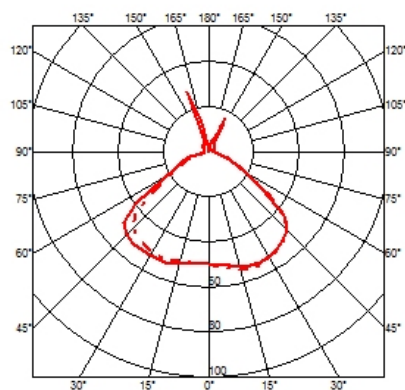
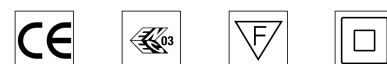
PHYSICAL

Supply	Power cord
Cord length(mm)	2030
Construction material	Aluminum, Fabric
Weight (kg)	5.5
Minimum distance from illuminated object (mm)	100

DIMENSIONS



CERTIFICATIONS



Archimoon Soft . Lamps



HSGS 33W G9

Lamp Watt:
33 W

Lamp category:
Halogen mains

Socket:
G9


Lamp type:
HSGS



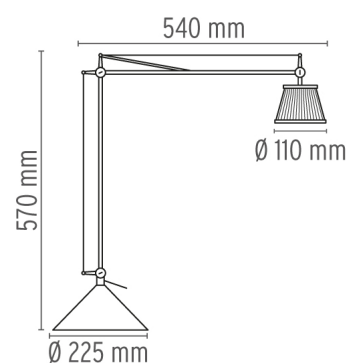
Archimoon Soft

designed by Philippe Starck

Task lamp providing direct and diffused light

 F0375000 Fabric

DIMENSIONS



CERTIFICATIONS



IP
20

