

FLOS

MOD. 548

Mounting	Table
Lamps description	1 LED - 2700 K - 730 lm total - CRI 90 - 11W
Environment	Indoor
Finish	Burnished brass / orange diffuser, Polished brass / blue diffuser
Technical description	Table lamp emitting reflected and diffused light, with adjustable spotlight in white painted aluminium, mounted on a tubular stem in polished or burnished brass. Cup-shaped diffuser in white and blue or orange methacrylate. The brass bar at the base acts as a counterweight.

ELECTRICAL

Emergency	Without
------------------	---------

PHYSICAL



Supply	Plug with interchangeable sockets
Cord length(mm)	2000
Construction material	Aluminum, Brass, Methacrylate
Weight (kg)	3,1



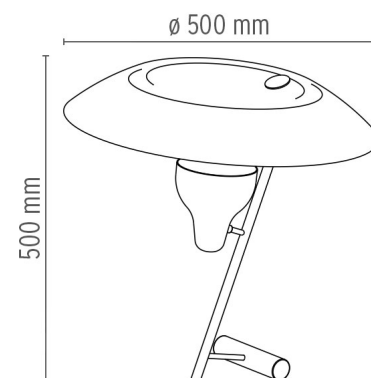
Mod. 548

designed by Gino Sarfatti

Table lamp emitting reflected and diffused light.

 F0145003	Polished brass / blue diffuser
 F0145075	Burnished brass / orange diffuser

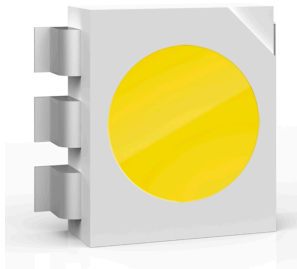
DIMENSIONS



CERTIFICATIONS



Mod. 548 . Lamps



LED - 2700 K - 730 lm
total - CRI 90 - 11W

Lamp Watt:
11 W

Lamp category:
LED

Color temperature (K):
2700 °K



Lamp type:
LED



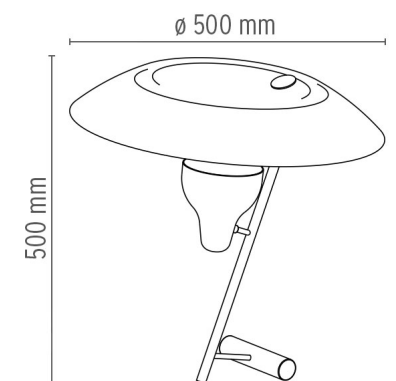
Mod. 548

designed by Gino Sarfatti

Table lamp emitting reflected and diffused light.

-  F0145003 Polished brass / blue diffuser
-  F0145075 Burnished brass / orange diffuser

DIMENSIONS



CERTIFICATIONS

