

# FLOS

## MOD. 607

<b>Mounting</b>	Table
<b>Lamps description</b>	42 LED - 2700 K - 1200 lm - CRI 85 - 18W
<b>Environment</b>	Indoor
<b>Finish</b>	White, Grey
<b>Technical description</b>	Table lamp emitting direct light, made up of two elements that are mechanically snapped together: a disc-shaped diffuser with a truncated cone section in painted aluminium and craquelé finish, and a slanted parallelepiped base in painted aluminium, which gives the lamp stability. The switch with dimmer is positioned on the front at the foot of the base.



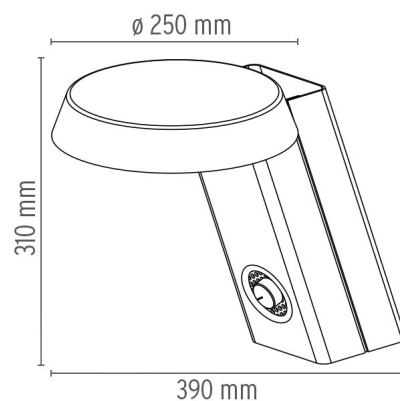
## Mod. 607

designed by Gino Sarfatti

Table lamp emitting reflected and diffused light.

- F0140020 Grey
- F0140009 White

## DIMENSIONS



## CERTIFICATIONS



## ELECTRICAL

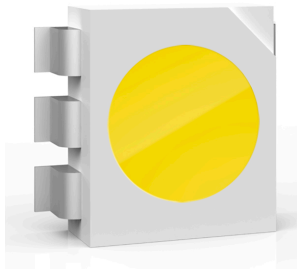
<b>Emergency</b>	Without
------------------	---------

## PHYSICAL

<b>Supply</b>	Plug with interchangeable sockets
<b>Cord length(mm)</b>	2000
<b>Construction material</b>	Aluminum
<b>Weight (kg)</b>	6,1



## Mod. 607 . Lamps



**LED - 2700 K - 1200 lm -  
CRI 85 - 18W**

**Lamp Watt:**  
18 W

**Lamp category:**  
LED

**Color temperature (K):**  
2700 °K

**Lamp type:**  
LED



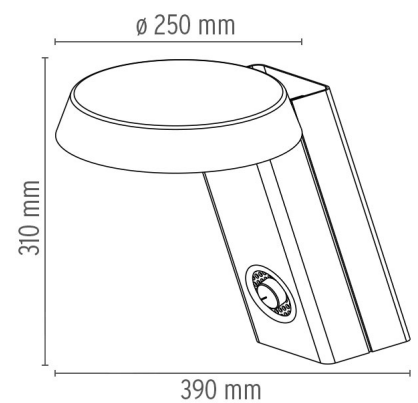
### Mod. 607

designed by Gino Sarfatti

Table lamp emitting reflected and  
diffused light.

- F0140020 Grey
- F0140009 White

### DIMENSIONS



### CERTIFICATIONS

