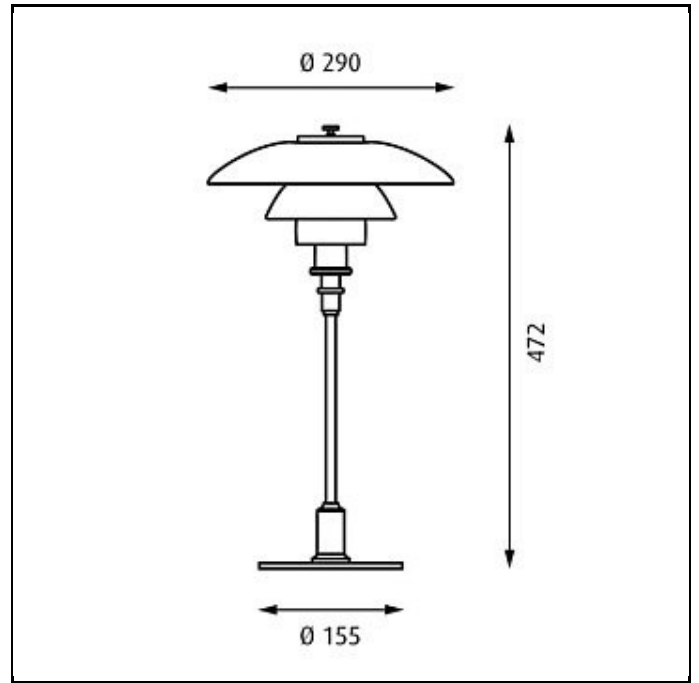


PH 3/2 Table



Design Poul Henningsen

Concept The fixture is designed based on the principle of a reflective three-shade system, which directs the majority of the light downwards. The shades are made of mouth-blown opal three-layer glass, which is glossy on top and sandblasted matt on the underside, giving a soft and diffuse light distribution.

Finish Black chrome plated or high lustre chrome plated. White opal glass.

Material Shades: Mouth-blown white opal glass. Top plate: Black chrome plated or high lustre chrome plated, spun brass. Base: Black chrome plated or high lustre chrome plated, brass. Stem: Black chrome plated or high lustre chrome plated, brass.

Mounting Cable type: Plastic cord with plug. Cable length: 2.1m. Light control: In-line switch on cord.

Weight Max. 2.5kg.

Class Ingress protection IP20. Electric shock protection II w/o ground.

Product Code	Light source	Finish	Cable type
PH32-T	1x40W E14	BLACK CHROME PLATED HIGH LUSTRE CHROME PLATED	BLK PL

Specification notes

The innovation of light sources is ongoing. Consequently we only inform about the max. wattages. On www.louispuolsen.com we update a list of recommendable light sources.