

## GLO-BALL C/W ZERO

<b>Mounting</b>	Ceiling/wall
<b>Lamps description</b>	1 x MAX 60W E14 HSGS
<b>Environment</b>	Indoor
<b>Finish</b>	White
<b>Technical description</b>	Wall or ceiling lamp providing diffused light. Diffuser consisting of an externally acidetched, hand blown, flashed opaline glass and a die-cast aluminum threaded ring nut with alodine plating finish. 30% fiberglass reinforced injectionmolded polyamide base. Gray painted, die-cast aluminum diffuser support.



### ELECTRICAL

<b>Emergency</b>	Without
<b>Voltage (V)</b>	220/240

### PHYSICAL

<b>Supply</b>	Terminal block
<b>Construction material</b>	Glass
<b>Weight (kg)</b>	1

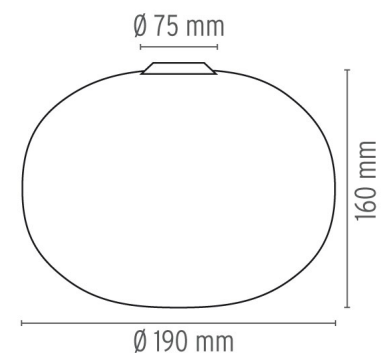
### GLO-BALL C/W ZERO

designed by Jasper Morrison

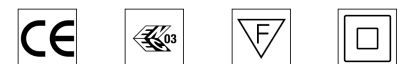
Wall or ceiling lamp providing diffused light.

● F3335009 White

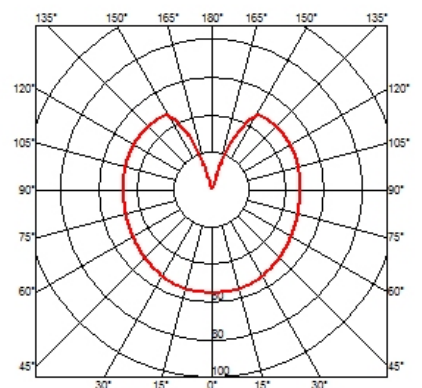
### DIMENSIONS



### CERTIFICATIONS



IP
40



## GLO-BALL C/W ZERO . Lamps



### 60W E14 HSGS

**Lamp Watt:**  
60 W

**Lamp category:**  
Halogen mains

**Socket:**  
E14

**Lamp type:**  
HSGS