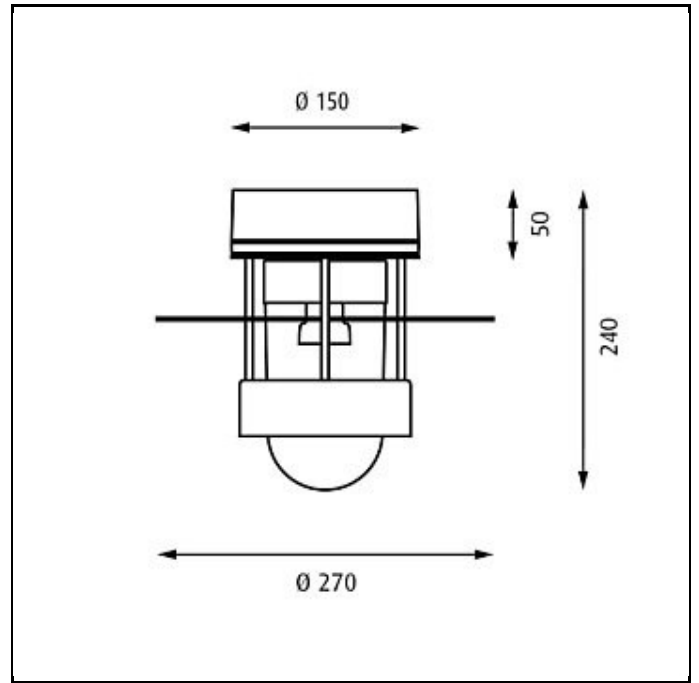


Albertslund Ceiling



Design Jens Møller-Jensen

Concept The fixture provides characteristic symmetrical and functional lighting. The horizontal ring reflects the light downwards, but its position also allows some light to slip past and illuminate the ceiling. The anti-glare ring prevents from horizontal glare, and the diffuser is available either as clear or white opal glass, depending on the desired light source.

Finish Galvanized, grey or white, powder coated.

Material Enclosure: Clear glass or partly frosted glass. Saturn ring: Punched aluminium or galvanized, punched steel. Anti glare ring: Spun aluminium or galvanized, extruded steel. Housing: Die cast aluminium.

Mounting Terminal block: 1x3x2.5mm². Cable entries: 2x top entry for Ø 20.3mm and 2x side entry. Looping: Approved, max. 3x1,5mm². For more information please look at www.louispuolsen.com.

Weight Max. 3.5kg.

Class Ingress protection IP44. Electric shock protection I w. ground. IK06.

Product Code	Light source	Finish	Class	Shield/Diffuser	Shade
ALB-C	1x100W E27	GALV	I	CLEAR	W/SATURN RING
	1x18W TC-TEL GX24q-2 HF	GREY		PART FROSTED	
		WHT			

Specification notes

TC-TEL version is supplied with partly frosted glass enclosure to avoid undesired glare. Max 100W E27 is supplied with clear glass enclosure.

Info notes

Clear polycarbonate (PC) accessory enclosure instead of glass enclosure only to be used with TC-TEL version. Please note that the housing appears in natural aluminium surface for the versions with galvanized shades. Both natural aluminium and galvanized surfaces will oxidize during time. This can result in an inconsistent surface finish during oxidation. This process might have begun already during stocking/transportation.