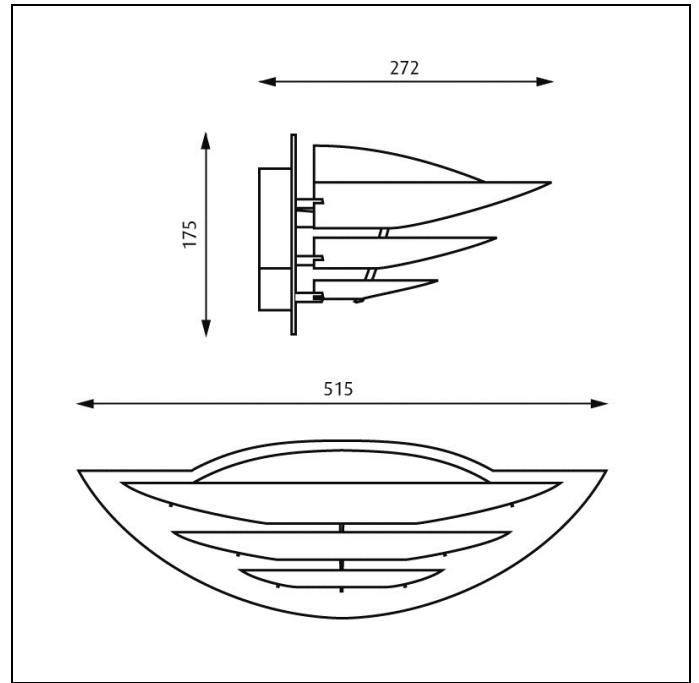
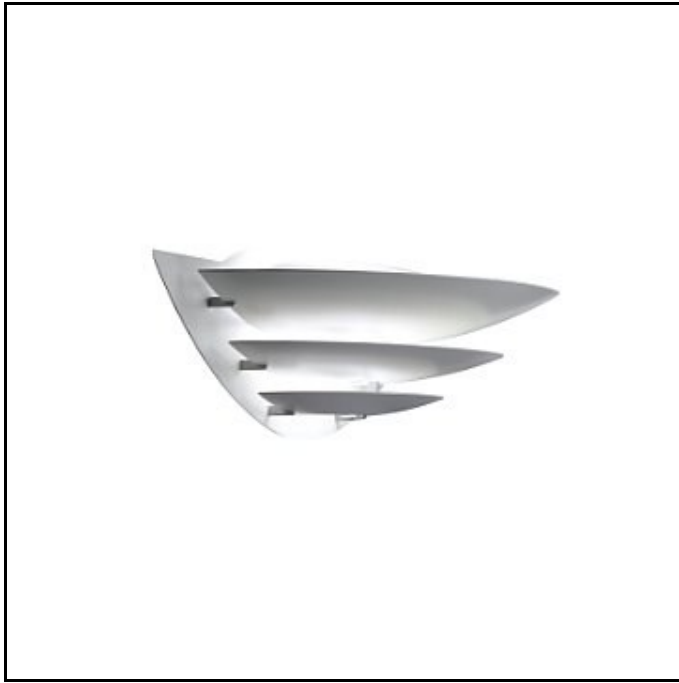


# Oslo Uplight



**Design** Kurt Nørregaard

**Concept** The fixture provides general indirect illumination and produces a visually comfortable ambiance as a result of light being emitted between the shades. The opening at the base emits light downwards, helping to emphasize the design of the fixture.

**Finish** White, wet painted.

**Material** Shades: Spun aluminium. Diffuser: Frosted, vacuum formed acrylic. Back plate: Punched steel.

**Mounting** Terminal block: HF: 1x3x2,5mm<sup>2</sup>, HF-D: 1x5x2,5mm<sup>2</sup>. Cable entries: 2x rear entries, Ø 20mm. Looping: Approved, max. 3x1,5mm<sup>2</sup>.

**Weight** Max. 3kg.

**Class** Ingress protection IP20. Electric shock protection I w. ground.

Product Code	Light source	Finish	Lighting control
OS-W	1x26W/32W/42W TC-TEL HF 1x42W TC-TEL GX24q-4 HF-D	WHT	DALI/DSI/SWITCH-DIM/SMART-DIM DIM 1-10V NONE

**Specification notes**

Dimming only available with 1x42W HF-D. HF only available with no light control.