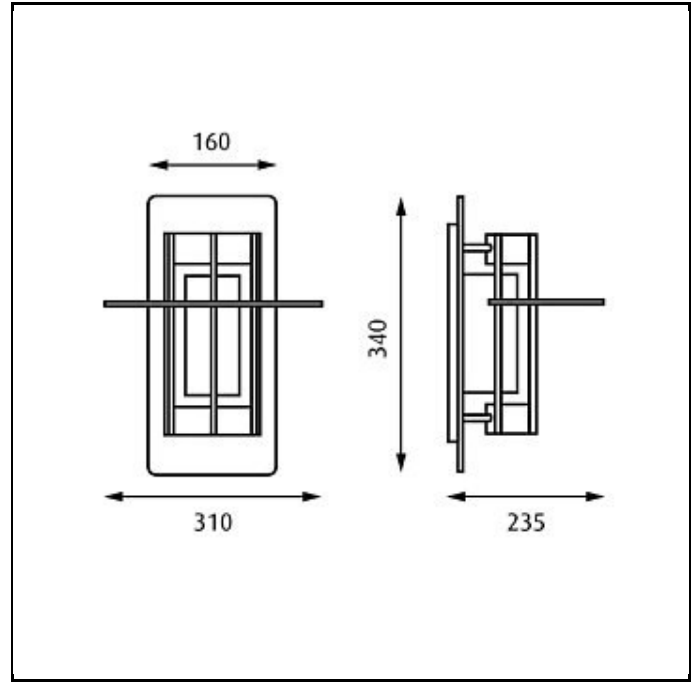
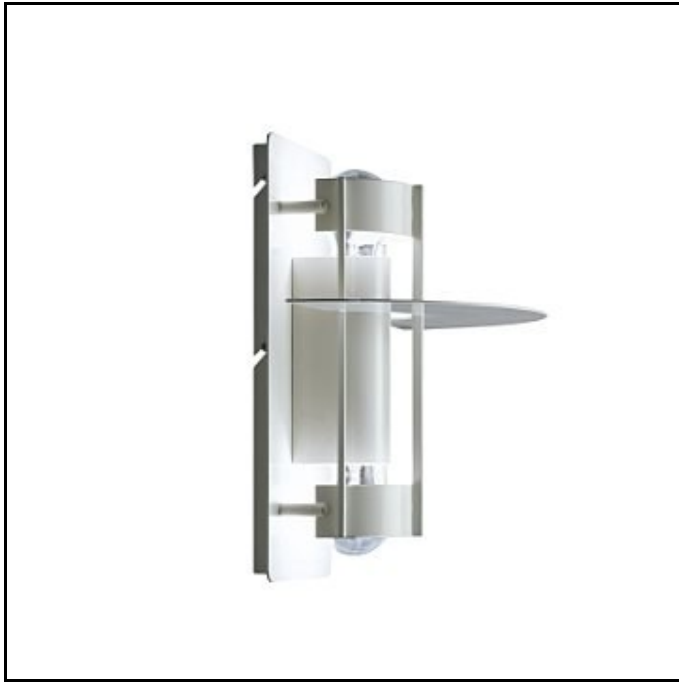


Saturn



Design Joachim Lepper

Concept The fixture emits light directed upwards and downwards. The horizontal half ring reflects the light in both directions. The fixture is available in two variants: a two light source version and a one light source version. The two light source variant: The anti-glare rings make the fixture glare-free for passers-by. The one lightsource variant: The opal diffuser emits a soft light for general illumination.

Finish White, powder coated.

Material Diffuser: Injection moulded opal polycarbonate (TC-DEL). Saturn ring: Punched steel. Anti-glare rings: Form pressed steel. Back plate: Punched steel.

Mounting Terminal block: 1x3x2.5mm². Cable entries: 2x rear + 2x top entries, Ø 19mm. Looping: Approved, max. 3x1,5mm². Ballast positioning: In wall box.

Weight Max. 4.5kg.

Class Ingress protection IP20. Electric shock protection I w. ground.

Product Code	Light source	Finish	Shield/Diffuser
SAT-W	1x26W TC-DEL G24q-3 HF 2x100W Clear E27	WHT	NOT APPLICABLE OPAL

Specification notes

Opal diffuser only available with 1x26W TC-DEL. The innovation of light sources is ongoing. Consequently we only inform about the max. wattages. On www.louispuolsen.com we update a list of recommendable light sources.