

Type: Wall

Lamps: D69 3x8W LED warm white 2700 °K*
 D69/01 1x24W FSD 2G11
 D69/02 1x80W FSD 2G11
 D69/03 2x28/54W FD G5 (T5)
 D69/04 2x35/49/80W FD G5 (T5)

Product use: Indoor

Materials: Aluminium body, polycarbonate diffuser

Colors: White, rust

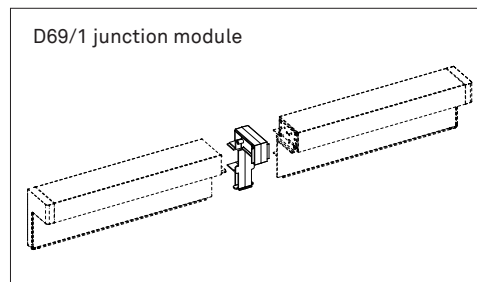
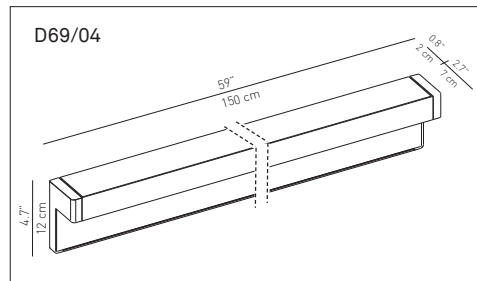
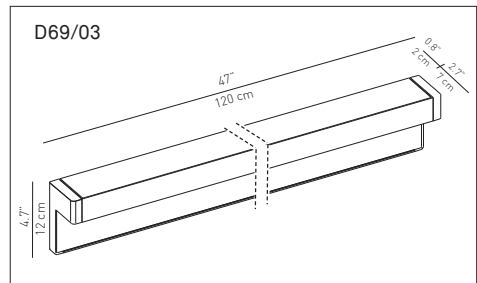
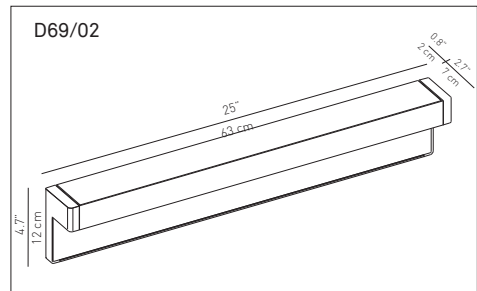
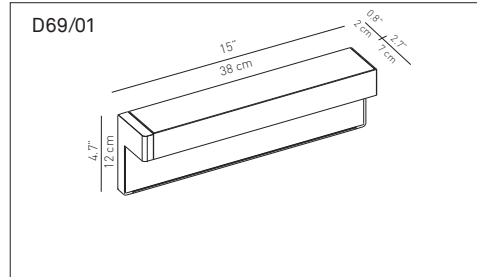
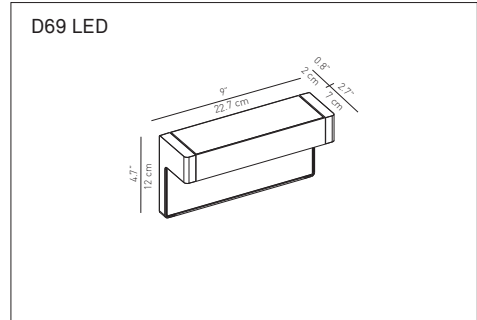
Description: Essential, unique and still never the same. Any is a wall lamp that is versatile and modular, capable of repeating itself in a variety of original compositions as elegant effects of moulding and reliefs. Indirect lighting produced by a fluorescent or LED source guarantees low energy consumption.

Certifications: **IP20**

Insulation class:

Reference code:

D69	1D69000L0002	white
	1D69000L0013	rust
D69/01	1D69001E0002	white
	1D69001E0013	rust
D69/02	1D69002E0002	white
	1D69002E0013	rust
D69/03	1D69003E0002	white
	1D69003E0013	rust
D69/04	1D69004E0002	white
	1D69004E0013	rust
junction module		
D69/1	1D69/1MC0002	white
	1D69/1MC0013	rust



*The LED lamps cannot be changed in the luminaire

