

# LANE

design Alfredo Häberli, 2007



Type: Wall

Lamps: D64 max 150W R7s- 120W HDG  
 D64/1 39W FD G5 (T5)  
 D64/2 54W FD G5 (T5)  
 D64/3 80W FD G5 (T5)  
 D64/3.led 80W FD G5 (T5) + 2x1.2W LED\*

Product use: Indoor

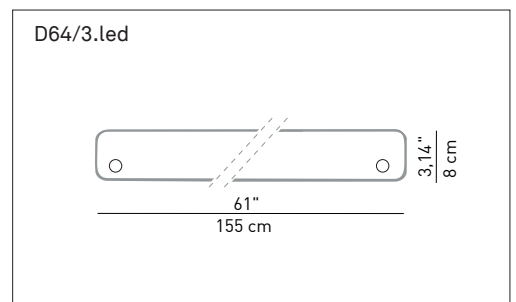
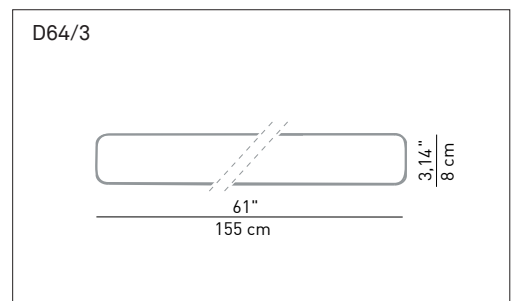
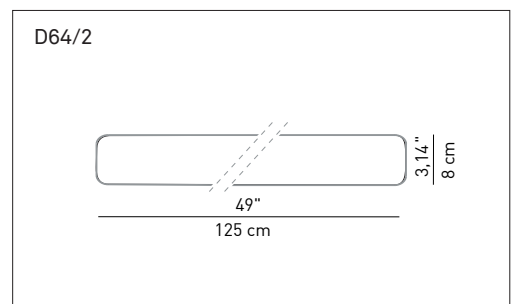
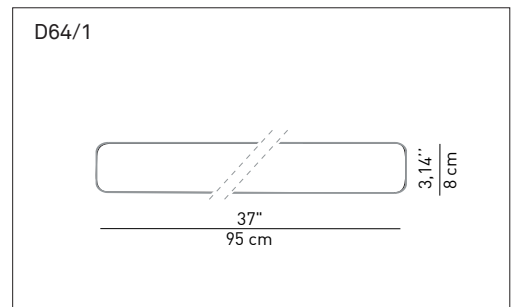
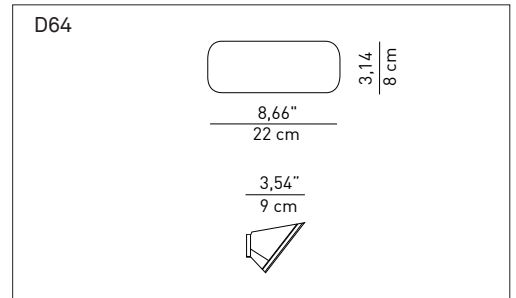
Materials: Extruded and die-cast aluminium

Colors: Painted white, painted alu, polished

Description: Lane is a strip made of aluminium which incorporates and at the same time releases a pleasant indirect light, upward and downward on the wall. Extremely neat and essential in its shape, Lane is designed with different lengths according to the light source.

Insulation class:

Reference code: D64	1D6400000002	white
	1D6400000020	painted alu
	1D6400000019	polished
D64/1	1D64001E0002	white
	1D64001E0020	painted alu
D64/2	1D64002E0002	white
	1D64002E0020	painted alu
D64/3	1D64003E0002	white
	1D64003E0020	painted alu
D64/3 led	1D64003EL002	white
	1D64003EL020	painted alu



\*The LED lamps cannot be changed in the luminaire

