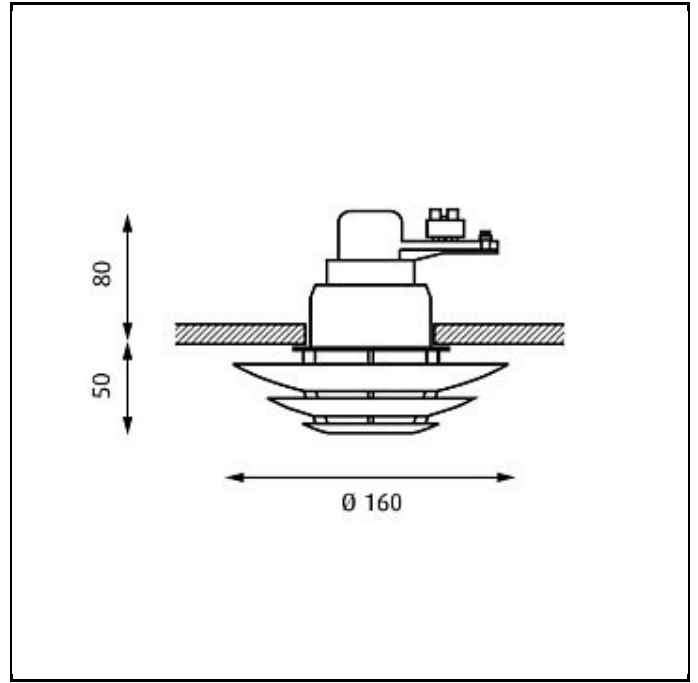


Oslo Micro



Design Kurt Nørregaard

Concept The fixture emits a narrow band of light directed downwards. The reflector rings direct a small amount of light towards the ceiling, creating a soft, harmonic transition between the fixture and ceiling. They also reduce the angle of glare, minimizing any annoyance to passers-by.

Finish White, wet painted.

Material Shades: Spun steel and aluminium.

Mounting Ceiling thickness: 5-32mm. Ceiling Cut-Out: Ø 70mm. Terminal block: 1x2x4mm². Looping: Not approved. Ballast: Supplied without transformer. For more information please look at www.louispoulsen.com.

Weight Max. 0.5kg.

Class Ingress protection IP20. Electric shock protection III low voltage.

Product Code	Light source	Finish
OS-MI-C	1x50W QT ax-12 Clear GY6,35	WHT

Info notes

Supplied with light source. Ballast has to be ordered separately.