

METROPOLI

design Alberto Meda / Paolo Rizzatto, 1992



Type: Wall, Ceiling
Lamps: Halogen, fluorescent or LED* according to the optics requested
Product use: Indoor, Outdoor
Materials: Die-cast aluminium body
 moulded glass or polycarbonate diffuser
Colors: Structure in white, painted alu, polished alu

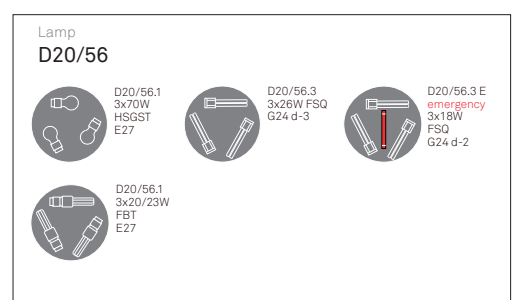
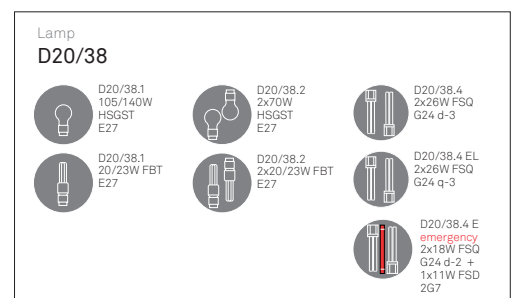
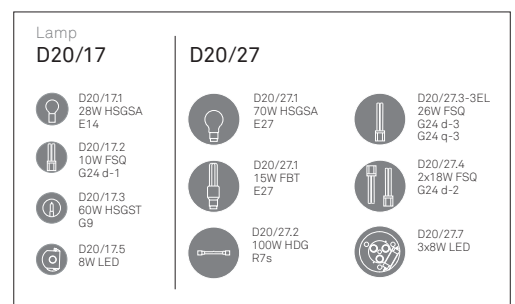
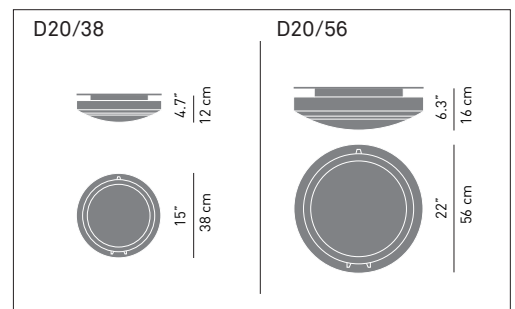
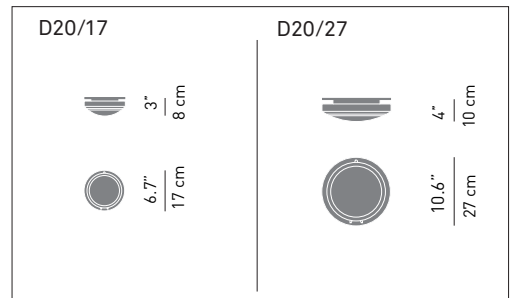
Description: Sober and impeccable, the die-cast aluminium frame houses the diffuser and a series of interchangeable optics whereby either halogen or fluorescent lamps may be used. Metropoli is now proposed with LED sources for a higher efficiency. The diffuser comes in moulded prismatic glass or in opal polycarbonate (waterproof).

Certifications: **IP65** (with kit for polycarbonate diffuser only.
 For outdoor versions do not use the polish finish)

Insulation class:

Awards: Compasso d'Oro ADI Milano 1994, prize

Reference code:	D20/17P	1D2017P00002 1D2017P00020 1D2017P00019	white painted alu polished alu
	D20/17V	1D2017V00002 1D2017V00020 1D2017V00019	white painted alu polished alu
	D20/27P	1D2027P00002 1D2027P00020 1D2027P00019	white painted alu polished alu
	D20/27V	1D2027V00002 1D2027V00020 1D2027V00019	white painted alu polished alu
	D20/38P	1D2038P00002 1D2038P00020 1D2038P00019	white painted alu polished alu
	D20/38V	1D2038V00002 1D2038V00020 1D2038V00019	white painted alu polished alu
	D20/56P	1D2056P00002 1D2056P00020 1D2056P00019	white painted alu polished alu
	D20/56V	1D2056V00002 1D2056V00020 1D2056V00019	white painted alu polished alu



*The LED lamps cannot be changed in the luminaire

