

## TATOU F

<b>Mounting</b>	Floor
<b>Lamps description</b>	1 x 205W E27 HSGS 4200lm - Incandescent halogen bulb
<b>Environment</b>	Indoor
<b>Finish</b>	White, Black, Ochre-grey
<b>Technical description</b>	Diffused light floor lamp. External diffuser in Polycarbonate. Internal diffuser in injection-printed opal Polycarbonate. Support and base in painted steel.

## ELECTRICAL

<b>Emergency</b>	Without
<b>Voltage (V)</b>	230

## PHYSICAL

<b>Supply</b>	Power cord
<b>Cord length(mm)</b>	1700
<b>Construction material</b>	Polycarbonate, Steel
<b>Weight (kg)</b>	16.40



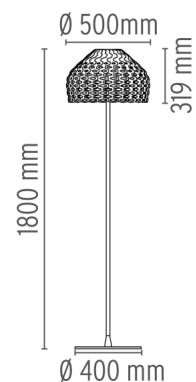
## TATOU F

designed by Patricia Urquiola

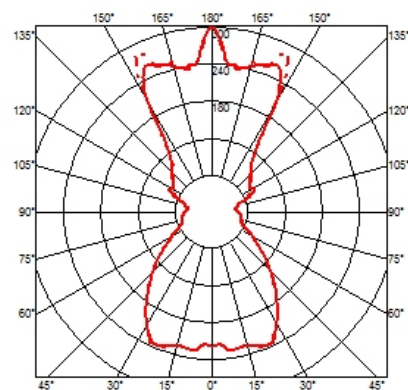
Diffused light floor lamp.

● F7764009	White
● F7764030	Black
● F7764048	Ochre-grey

## DIMENSIONS



## CERTIFICATIONS



## TATOU F . Lamps



### HSGS 205W E27

**Lamp Watt:**  
205 W

**Lamp category:**  
Halogen mains

**Socket:**  
E27

**Lamp type:**  
HSGS



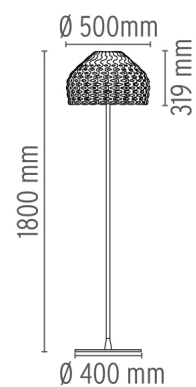
### TATOU F

designed by Patricia Urquiola

Diffused light floor lamp.

- F7764009 White
- F7764030 Black
- F7764048 Ochre-grey

### DIMENSIONS



### CERTIFICATIONS

