

FLOS

VISCONTEA

Mounting	Pendant
Type of ceiling pendant	Suspension cable
Lamps description	1 x MAX 100W E27 HSGS
Environment	Indoor
Finish	Cocoon
Technical description	Suspension lamp providing diffused light. White powder coated internal steel structure sprayed with a unique cocoon resin to create the diffuser which is then protected by a transparent sprayed on finish.



Viscontea

designed by Achille & Pier Giacomo Castiglioni

Suspension lamp providing diffused light

ELECTRICAL

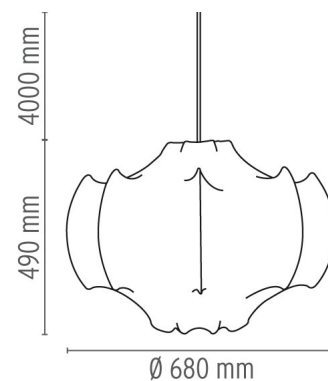
Emergency	Without
Voltage (V)	230

PHYSICAL

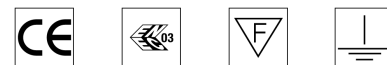
Supply	Power cord
Cord length(mm)	4000
Construction material	Cocoon, Steel
Weight (kg)	1.7

● F8001009 Cocoon

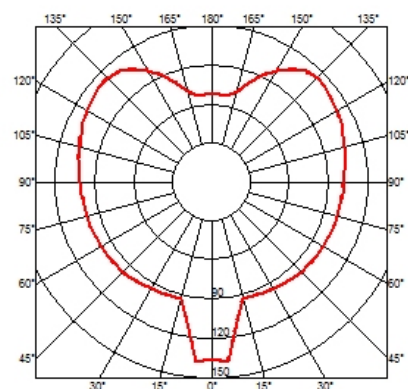
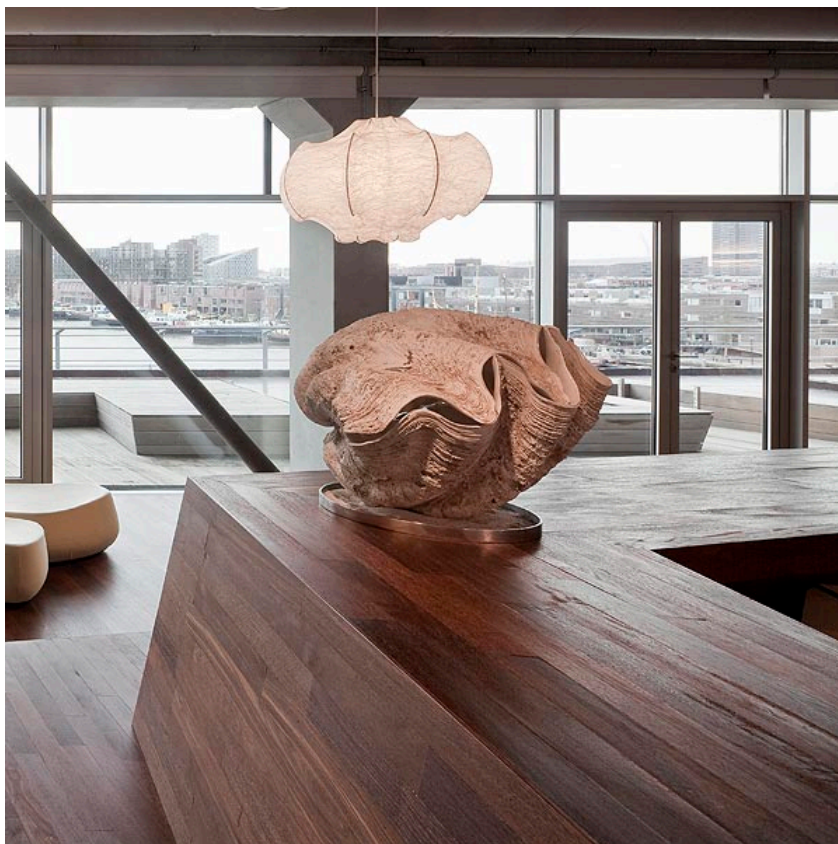
DIMENSIONS



CERTIFICATIONS



IP
20



Viscontea . Lamps



HSGS 100W E27

Lamp Watt:
100 W

Lamp category:
Halogen mains

Socket:
E27

Lamp type:
HSGS



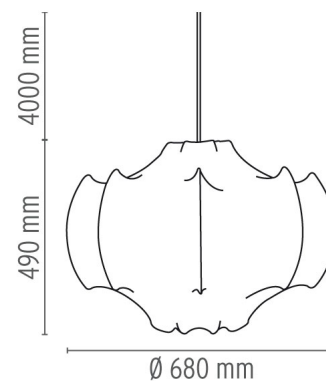
Viscontea

designed by Achille & Pier Giacomo
Castiglioni

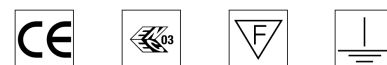
Suspension lamp providing diffused
light

● F8001009 Cocoon

DIMENSIONS



CERTIFICATIONS



IP
20

