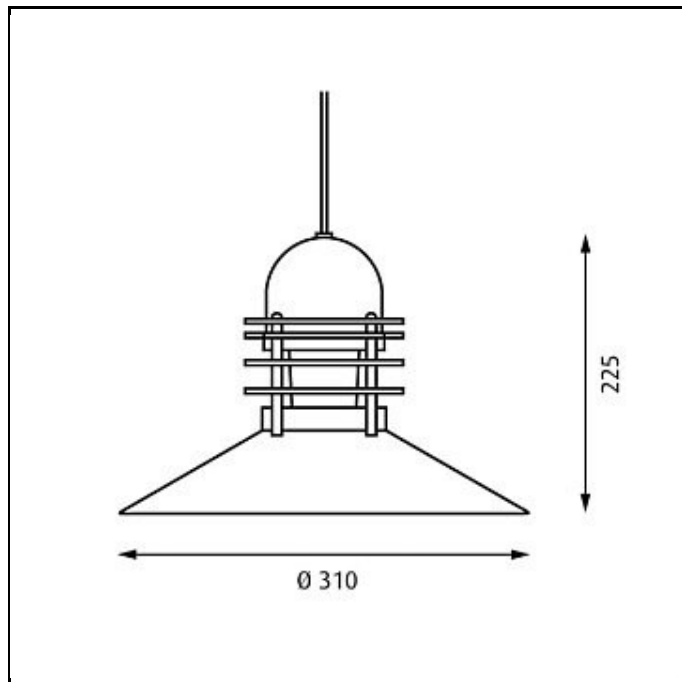


Nyhavn Pendant



Design Alfred Homann & Ole V. Kjær

Concept The conical shade ensures comfortable light that is directed downwards in a wide beam. The shade interior has a white matt painted surface, ensuring uniform light distribution. The rings ensure that a stray light is controlled, and direct a small amount of light onto the top side of the shade for self-illumination.

Finish Copper, brushed and coated or white, wet painted.

Material Shades: Spun aluminium or spun copper. Enclosure: Clear glass. Top: Spun aluminium or spun copper.

Mounting Suspension type: Cable 3x0,75mm². Canopy: Yes. Cable length: 3m.

Weight Max. 3.5kg.

Class Ingress protection IP20. Electric shock protection I w. ground.

Product Code	Light source	Finish	Shield/Diffuser	Cable type
NYH-P	1x100W E27	COPPER WHT	CLEAR	BLK TEX WHT TEX

Specification notes

Copper variant with black textile cable. White variant with white textile cable. The innovation of light sources is ongoing. Consequently we only inform about the max. wattages. On www.louispuolsen.com we update a list of recommendable light sources.