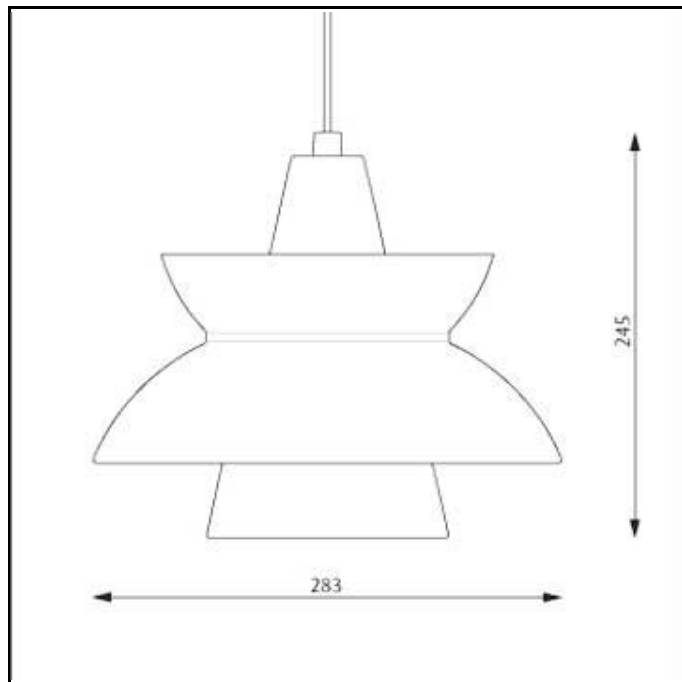


# Doo-Wop



**Design** Louis Poulsen Lighting A/S in cooperation with the Navy Buildings Department

**Concept** The fixture primarily provides a downward directed soft light by means of the white lacquered inner conical reflector. The outer reflector, the main shade, contributes to directing the light up- and downwards, while at the same time spreading the soft diffuse light. The inside of the main shade is illuminated through an opening in the inner conical reflector.

**Finish** White, Dark grey, Red, Green, Blue powder coated or Brass.

**Material** Shade: Spun aluminium or spun brass. Suspension: Spun aluminium. Struts: Stainless steel.

**Mounting** Suspension type: Cable 2x0,75mm<sup>2</sup>. Canopy: Yes. Cable length: 3m.

**Weight** Max. 1,5Kg.

**Class** Ingress protection IP20. Electric shock protection II.

Product Code	Light source	Finish
D00-WOP	1x60W Clear E27	BLUE BRASS DARK GREY GREEN RED WHITE

**Specification notes**

The innovation of the LED technology is constant. The specifications mentioned are based on present technology. Please find updated info on products on our website [www.louispoulsen.com](http://www.louispoulsen.com).