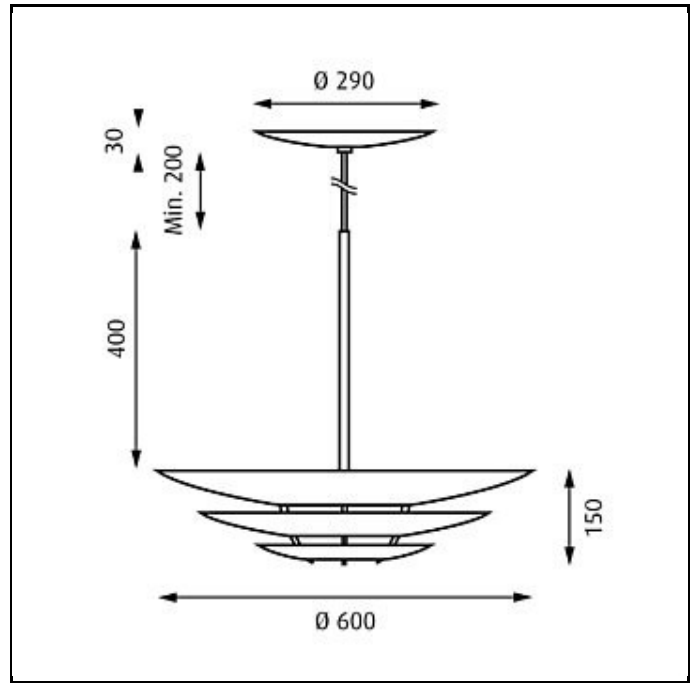


Oslo Pendant



Design Kurt Nørregaard

Concept The fixture provides general indirect illumination and produces a visually comfortable ambiance as a result of light being emitted between the shades. The opening at the base provides a downward illumination.

Finish White, wet painted.

Material Shades: Spun aluminium. Canopy: Spun aluminium. Tube: Extruded aluminium. Struts: Light grey, die cast aluminium.

Mounting Suspension type: Cable 3x0,75mm² (HF-D 5x0,75mm²). Canopy: Yes. Cable length: 4m.

Weight Max. 5kg.

Class Ingress protection IP20. Electric shock protection I w. ground.

Product Code	Light source	Finish	Class	Lighting control
OS-P	2x57W TC-TEL GX24q-5 HF 2x57W TC-TEL GX24q-5 HF-D	WHT	I	DALI/DSI/SWITCH-DIM/SMART-DIM DIM 1-10V DSI/SWITCH-DIM/SMART-DIM NONE

Specification notes

2x57W HF only available with no lighting control.