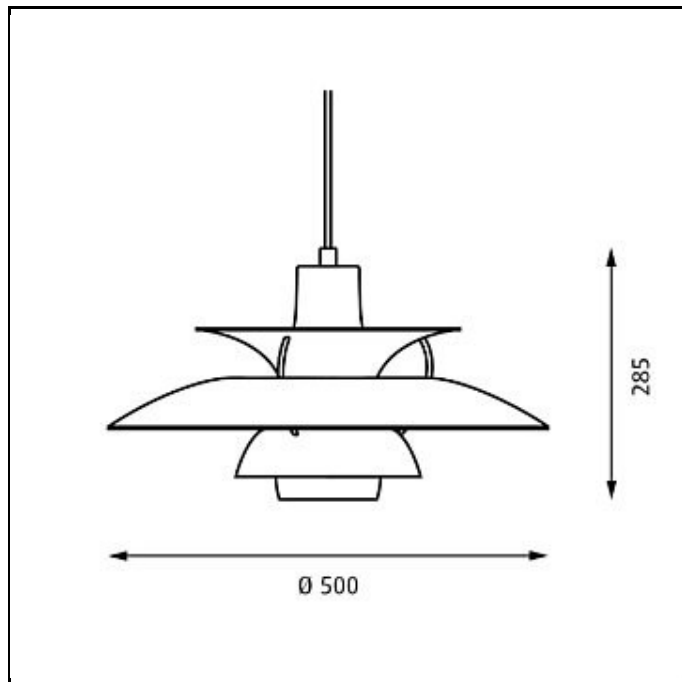


PH 5 & PH 50



Design Poul Henningsen

Concept The fixture provides 100% glare-free light. Its design is based on the principle of a reflective three-shade system, which directs majority of the light downwards. The fixture emits both downward and lateral light, thus illuminating itself. In the PH 5 Classic, a warmer tone of light is created by the inside red cone and a small blue reflector.

Finish PH 50: Chili red, coconut white, mint blue, olive black or wasabi green, glossy, wet lacquered. PH 5 Classic: White, matt coated. PH 5: White/Pale rose, Dark Grey/Turquoise, Army/Dark Grey, Pale Rose/Green, matt coated.

Material Shades: Spun aluminium. Anti-glare disc: Blue, red, pale rose, green, dark grey or turquoise, spun aluminium. Struts: Aluminium coloured, purple or bronze coloured, rolled aluminium.

Mounting Suspension type: Cable 3x0,75mm². Canopy: Yes. Cable length: 3m.

Weight Max. 2.5kg.

Class Ingress protection IP20. Electric shock protection I w. ground.

Product Code	Light source	Finish	Cable type
PH5/PH50-P	1x23/30W TC-TSE/1x200W E27	PH 5, ARMY/DARK GREY MAT PH 5, DARK GREY/TURQUOISE MAT PH 5, PALE ROSE/GREEN MAT PH 5, WHITE CLASSIC MAT PH 5, WHITE/PALE ROSE MAT PH 50, CHILI RED GLOSS PH 50, COCONUT WHITE GLOSS PH 50, MINT BLUE GLOSS PH 50, OLIVE BLACK GLOSS PH 50, WASABI GREEN GLOSS	WHT TEX

Specification notes

The innovation of light sources is ongoing. Consequently we only inform about the max. wattages. On www.louispuulsen.com we update a list of recommendable light sources.

Info notes

PH 5 is painted with matt surface. PH 50 is painted with high-lustre surface.