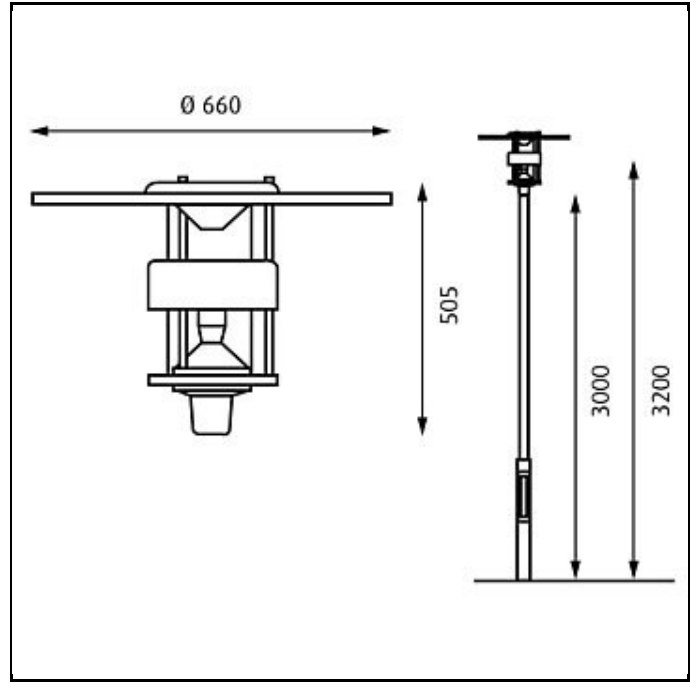


Albertslund Mini Post



Design Jens Møller-Jensen

Concept The fixture emits symmetrical glare-free light directed downwards. The top shade helps direct the light downwards and prevent light from being emitted upwards. The white painted reflectors result in diffuse and comfortable light distribution. For the HIE/HIT and TC-TEL versions, the reflector ring protects against direct glare. For the LED version, the reflector ring also serves as a heat sink.

Finish Aluminium coloured with textured surface, graphite with textured surface or grey, powder coated.

Material Top shade: Form pressed glass fibre. Enclosure: Injection moulded clear polycarbonate. Reflector ring (HIT/HIE/TC-T): Injection-moulded polycarbonate. Heat sink/fixture housing(LED): Die-cast aluminium. Console: Die-cast aluminium. Struts: Stainless steel.

Mounting Pole dimension: Ø 60mm. Installation cable: 4m 3x1,5mm² (Class I) or 4m 2x1,5mm² (Class II). Terminal block: 1x3x2.5mm². Terminal block positioning: In fixture head. Ballast positioning: In fixture head. LED dimmable LED: Installation cable: 4m, 3x1.5mm² + 2x0.5mm² (Class I) or 4m, 2x1.5mm² + 2x0.5mm² (Class II). LED driver: Built into the fixture head.

Weight Max. 7.5kg.

Class Ingress protection IP66. Electric shock protection I w. ground, II w/o ground. HIT/HIE/TC-T: IK08, LED: IK10.

Product Code	Light source	Finish	Class	Shield/Diffuser	Decor part	Lighting control
ALB-MI-PT	1x26W/32W/42W TC-TEL HF	ALU COL TEXT	I	CLEAR	NOT APPLICABLE	DIM 1-10V
	1x50/70W HIE/HIT(CRI) E27 Conv	GRAPH TEXT	II		OPAL/WHT SOCKET COVER	NONE
	54W LED 3000K	GREY			WHT SOCKET COVER	
	54W LED 4000K					
	55W LED 3000K					
	55W LED 4000K					

Specification notes

TC-TEL has an opal/white socket cover. HIE/HIT has white socket cover. Albertslund Mini Post is also available in a LED version.

Info notes

For the HIE/HIT versions it is also possible to use HSE/HST light sources. Mounting: for pole Ø 60 mm. Transition pieces for Ø 115mm pole can be bought as accessory parts. The innovation of the LED technology is constant. The specifications mentioned are based on present technology. Please find updated info on products on our website www.louis Poulsen.com.