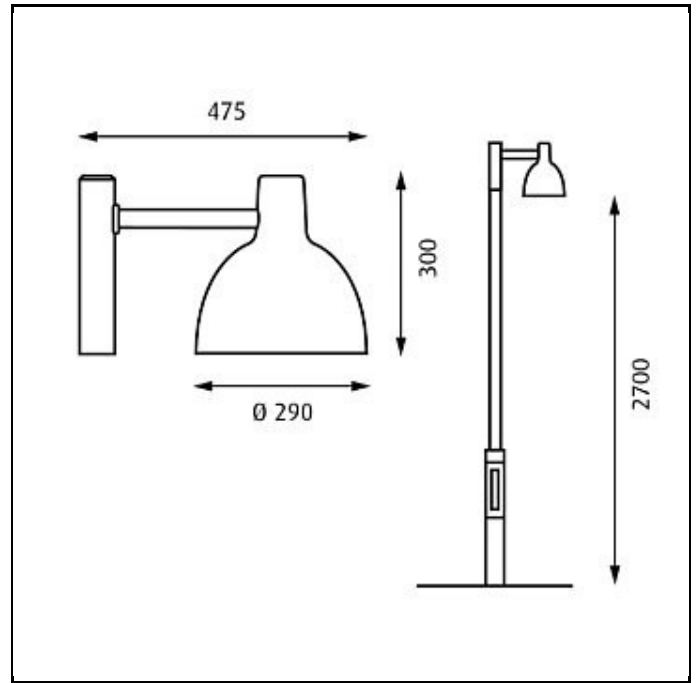


Toldbod 290 Post



Design Louis Poulsen Lighting A/S

Concept The light is directed 100% downwards and the shade has a matt white painted interior emitting a soft, diffused, comfortable light.

Finish Aluminium coloured with textured surface or black with textured surface, powder coated.

Material Fixture head: Die cast aluminium. Shield: Injection moulded clear polycarbonate. Pole top: Galvanized, steel.

Mounting Pole dimension: Ø 48mm or Ø 60mm. Installation cable: 3,5m 3x1mm² (Class I) or 3,5m 2x1mm² (Class II). Terminal block: 1x3x2.5mm². Terminal block positioning: In fixture head. Ballast: Yes. Ballast positioning: In fixturehead.

Weight Max. 6kg.

Class Ingress protection IP44. Electric shock protection I w. ground, II w/o ground. IK08.

Product Code	Light source	Finish	Class	Arm type	Mounting
TOL-PT	1x26W/32W/42W TC-TEL HF	ALU COL TEXT	I	GALVANIZED	Ø 48 POLE
	1x70W HIE/HIT (CRI) E27 Conv.	BLK TEXT	II	PAINTED	Ø 60 POLE
	Inc. & vap. lamps 13175				

Specification notes

Vap. lamps 13175 can be fitted with 70W HSE-E E27.

Info notes

Approved for vapour lamps up to 70W HSE-E. For class I and II incandescent and vapour lamp versions, please order the "vap. lamps" version and note that control gear for these versions is not supplied as standard and must be ordered separately and placed in the pole. Fixture heads without pole are available for Ø 48mm or Ø 60mm poles. For fixture complete with Ø 60mm pole: choose "for Ø 48mm pole" (pole stub); outer pole dimension is Ø 60mm. Please note that for the aluminium coloured version both the pole top, arm and the pole itself are galvanized. Galvanized surfaces will oxidise and form a thin zinc-oxide layer on the surface over time. This can result in an inconsistent surface finish during oxidation. This process might have begun already during stocking/transportation. The formed zinc-oxide layer protects the galvanizing against additional corrosion.