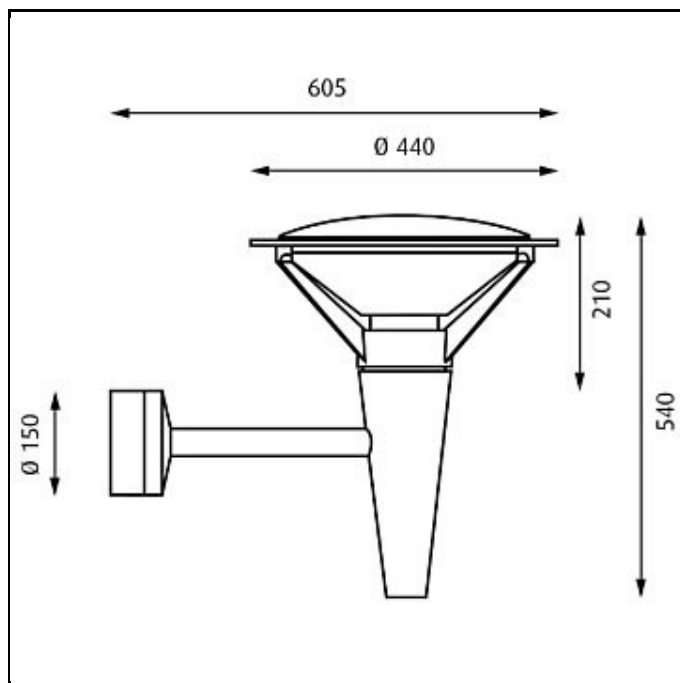


Kipp Wall



Design Alfred Homann

Concept The fixture emits symmetrical light directed downward. The relation between the slightly curved top shade and the angle of the inner opal diffuser ensures a wide non glare light distribution.

Finish Aluminium coloured with textured surface or graphite grey, powder coated.

Material Diffuser: Injection moulded white opal acrylic. Top shade: Die cast aluminium. Enclosure: Injection moulded clear polycarbonate. Frame: Die cast aluminium. Wall box: Die cast aluminium. Arm: Extruded aluminium.

Mounting Terminal block: 1x3x2.5mm². Cable entries: 2x rear and 2x bottom entries, Ø 20mm. Looping: Approved, max. 3x1,5mm².

Weight Max. 7.5kg.

Class Ingress protection IP55. Electric shock protection I w. ground. IK10.

Product Code	Light source	Finish	Class
KIP-W	1x26/32W TC-TEL GX24q-3 HF 1x35W HIT-CRI G12 HF 34W LED 3000K 34W LED 4000K	ALU COL TEXT GRAPH GREY	I

Specification notes

The fixture is also available in a LED version.

Info notes

Ballast/driver are located in the conical fixture housing. The innovation of the LED technology is constant. The specifications mentioned are based on present technology. Please find updated info on products on our website www.louispuolsen.com.