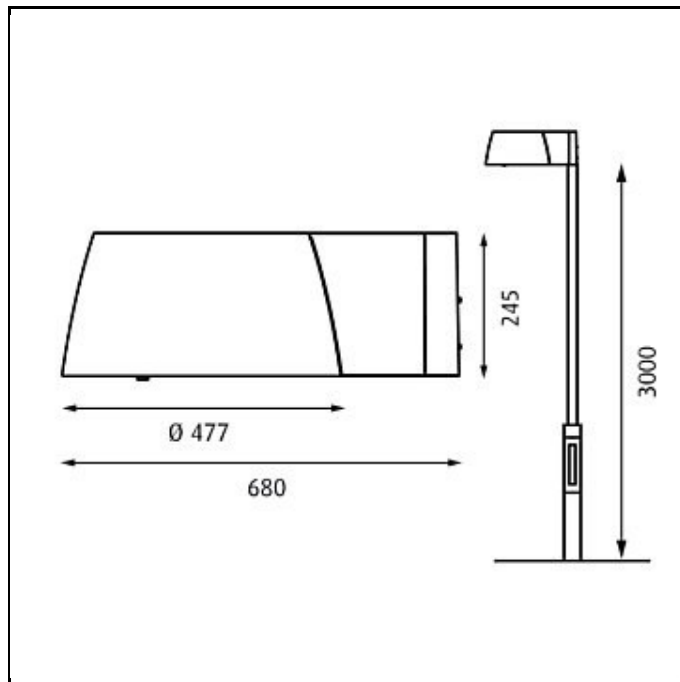


# LP Hint



**Design** Helena Tatjana Eliason

**Concept** The fixture emits light directed mainly downwards. The fixture is available in three diffuser variants. The basic and opal versions have a clear diffuser. The basic version has a 100% downward light distribution. The opal version has an opal acrylic top which helps to illuminate the actual fixture while also functioning as a directional marker. Furthermore the opal version is also available with an acrylic lower shade which emits a glowing decorative lighting effect.

**Finish** Aluminium coloured with textured surface, powder coated.

**Material** Housing: Die cast aluminium. Shade: High pressure moulded acrylic. Reflector: Metallized, high pressure moulded polycarbonate. Diffuser: toughened clear glass with silk screen print.

**Mounting** Pole dimension: Ø 115mm or Ø 60mm. Installation cable: 5m, 2x1,5mm<sup>2</sup> or 5m, 3x1,5mm<sup>2</sup>. Terminal block: 1x3x2.5mm<sup>2</sup>. Terminal block positioning: In fixture head. Ballast positioning: In fixture head.

**Weight** Max. 16kg.

**Class** Ingress protection IP65 (Opal with shade) or IP66 (Basic & Opal). Electric shock protection I w. ground, II w/o ground. IK05.

Product Code	Light source	Finish	Class	Light technique	Mounting
LP-HINT-PT	1x26W/32W/42W TC-TEL HF	ALU COL TEXT	I	BASIC	Ø 115 POLE
	1x57W TC-TEL GX24q-5 HF		II	OPAL	Ø 60 POLE
	1X70W HIE/HIT (CRI) E27 Conv.			OPAL WITH SHADE	

#### Info notes

Transition piece for pole Ø76 can be ordered separately. To achieve optimum asymmetrical light tubular light sources (HIT) are recommended. For the HIE/HIT versions it is also possible to use HSE/HST light sources.