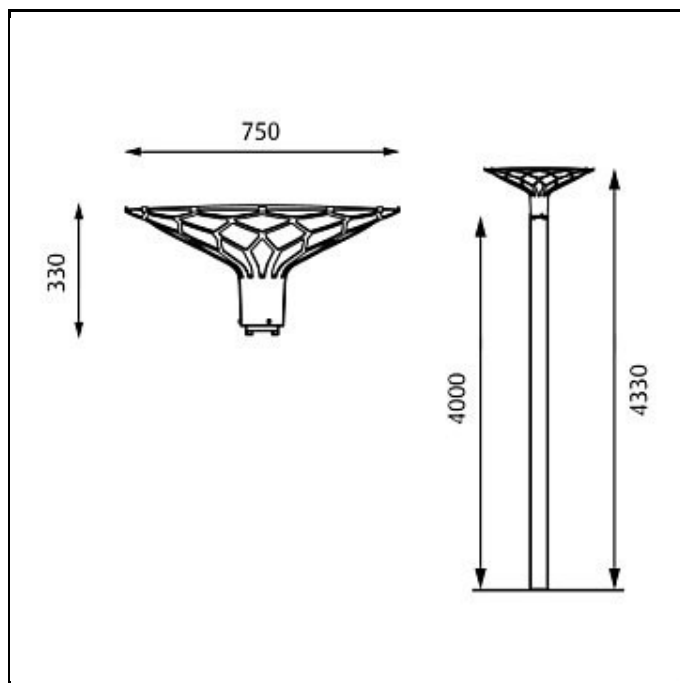


# LP Nest



**Design** Bystrup Architects

**Concept** The fixture emits an indirect, soft and symmetrical light. Reflections in the "lattice" create an attractive play of light within the fixture.

**Finish** Aluminium coloured with textured surface or graphite with textured surface, powder coated.

**Material** Frame/Louvre: High pressure moulded aluminium. Top shade: Spun aluminium. Reflector: Anodised aluminium. Enclosure: Clear glass.

**Mounting** Pole dimension: Ø 115mm. Terminal block: 1x3x2,5mm<sup>2</sup> (Class I) or 1x2x2,5mm<sup>2</sup> (Class II). Terminal block positioning: Under the fixturehead console. Ballast/driver location: in the post top.

**Weight** Max. 8kg.

**Class** Ingress protection IP66. Electric shock protection I w. ground, II w/o ground. IK09.

Product Code	Light source	Finish	Class
LPNEST-PT	1x150W HIT G12 HF	ALU COL TEXT	I
	1x70W HIT G12 HF	GRAPH TEXT	II
	56W LED 3000K		
	56W LED 4000K		

**Specification notes**

LP Nest is also available in a LED version.

**Info notes**

Poles must be ordered separately. Mounting for pole Ø 115. The innovation of the LED technology is constant. The specifications mentioned are based on present technology. Please find updated info on products on our website [www.louispoulsen.com](http://www.louispoulsen.com).