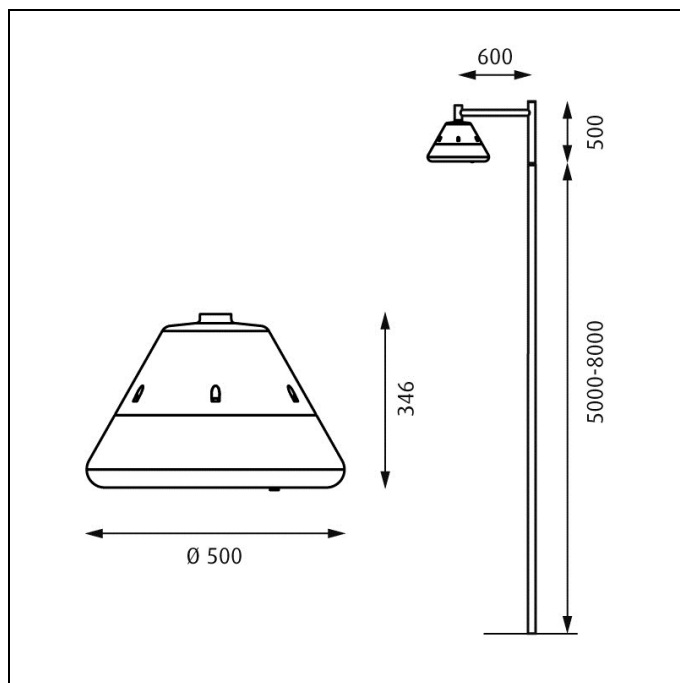


MO500



Design Mads Odgård

Concept The fixture emits light directed primarily downwards. The opal shade is faintly illuminated, to mark out the route and make the fixture distinct against the night sky. The downward light pattern is determined by the reflector type.

Finish Aluminium coloured with textured surface, powder coated.

Material Shade: Opal, high pressure moulded acrylic. Reflector: High pressure moulded polycarbonate. Housing: Die cast aluminium. Diffuser: Clear, high pressure moulded acrylic.

Mounting Top mounted on arm: for 3/4" pipe thread min 25mm, 9,5m cable. Top wire mounted variant: no cable, but approved for looping, max. 3x1,5mm² via an IP68 connector. Driver position: in the fixture head.

Weight Max 8,6kg.

Class Ingress protection IP66. Electric shock protection I w. ground, II w/o ground.

Product Code	Light source	Finish	Class	Light technique	Reflector	Mounting	Lighting control
MO-500-PT	53W LED 3000K	ALU COL TEXT	I	ASYM	MATT	TOP-MOUNTED	1-10V DIM BY ADD. PHASE
	53W LED 4000K		II	DOUBLE SYMM	POLISH	WIRE TOP-MOUNTED	DIM 1-10V NIGHT TIME DIM - 50%

Specification notes

The LED driver is integrated in the fixture head.
All LED efficiency information is measured as system power.
Bi-sym version is delivered with matt reflector.

Info notes

The asymmetrical version is adjustable.
The innovation of the LED technology is constant. The specifications mentioned are based on present technology. Please find updated information on products on our website www.louispoulsen.com.
Pole and arms to be ordered separately.