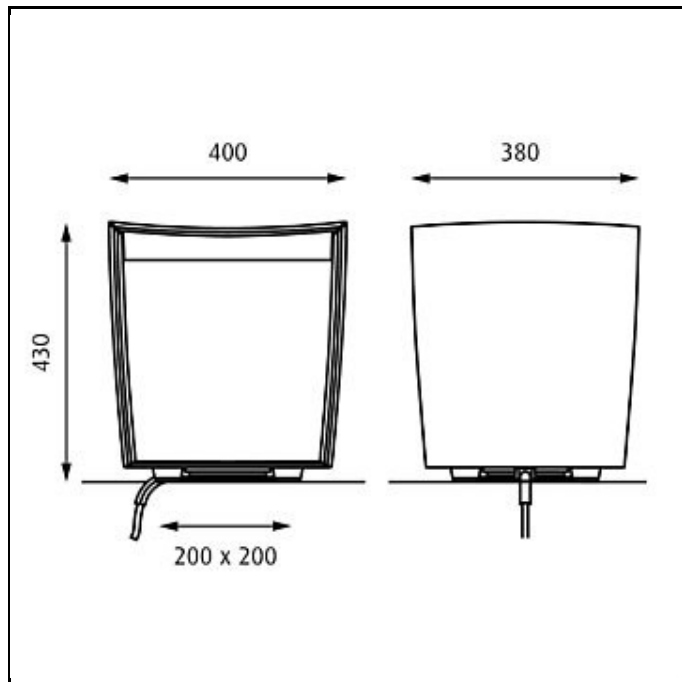


Pagoda



Design design-people aps

Concept The fixture emits an indirect soft light distribution due to the inner white painted and slightly curved top reflector. The white interior of the fixture optimizes the surface mounted LED light source. The design of the fixture makes it a comfortable place to sit.

Finish Graphite with textured surface, powder coated.

Material Base: Die cast aluminium, Light unit: Polycarbonate.

Mounting installation cable: 3m, 3x1,5mm².

Weight Max. 20kg.

Class Ingress protection IP66. Electric shock protection I.

Product Code	Light source	Finish
PAG-A	4W LED	GRAPH TEXT

Specification notes

Pagoda LED has a LED light source that can be connected directly to the main power supply. All LED efficiency information are measured as system power.

Info notes

The innovation of the LED technology is constant. The specifications mentioned are based on present technology. Please find updated info on products on our website www.louispoulsen.com. Anchor bolts to be sourced locally.