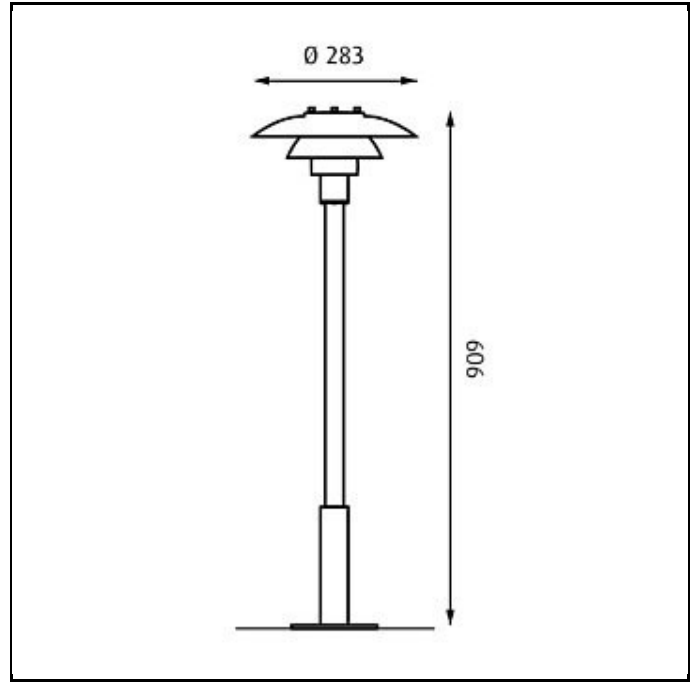


# PH 3-2½ Bollard



**Design** Poul Henningsen

**Concept** The fixture is designed based on the principle of a reflective three-shade system, which directs the light downwards. The shades have a matt white painted interior surface, diffusing the light in a comfortable way.

**Finish** Black, powder coated.

**Material** Top shade: Spun stainless steel. Middle/lower shade: Spun stainless steel. Shadeholder: Form pressed glass. Post: Stainless steel.

**Mounting** Terminal block: 1x5x2.5mm<sup>2</sup>. Terminal block positioning: In post. Cable entries: 2x bottom entries Ø 17mm. Looping: Approved, max. 5x2,5mm<sup>2</sup>. Post w/base plate for surface mounting: H: 909mm incl. fixture head. Post dia. 32mm.

**Weight** Max. 7kg.

**Class** Ingress protection IP44. Electric shock protection I w. ground.

Product Code	Light source	Finish	Pole/Post
PH32,5-B	1x60W E27	BLK	POST W/BASE PLATE

**Specification notes**

The innovation of light sources is ongoing. Consequently we only inform about the max. wattages. On [www.louispoulsen.com](http://www.louispoulsen.com) we update a list of recommendable light sources.

**Info notes**

Earth anchor to be ordered separately. Anchor bolts to be sourced locally.