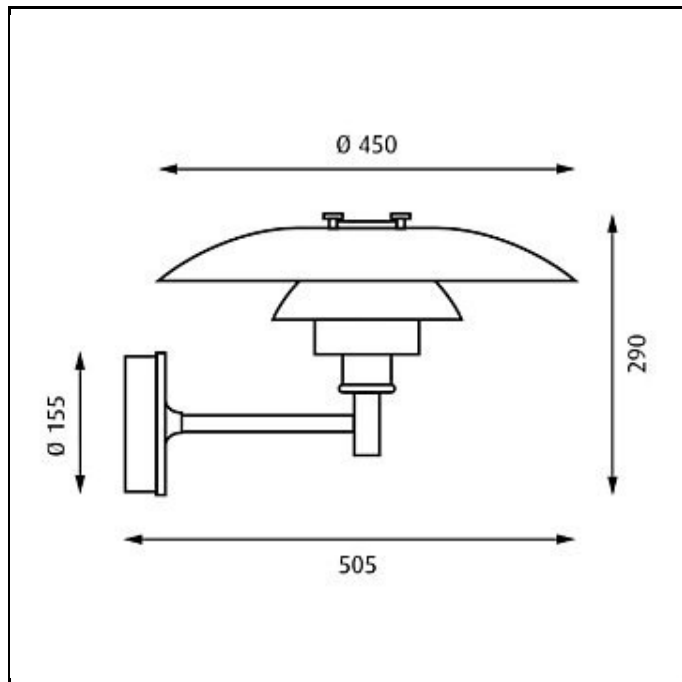


# PH Wall



**Design** Poul Henningsen

**Concept** The fixture is designed based on the principle of a reflective three-shade system, which directs the light downwards. The shades have a matt white painted inside to ensure diffuse, comfortable light distribution.

**Finish** Copper, brushed.

**Material** Shades: Spun copper. Wall box: Copperplated, spun brass. Arm: Copperplated, brass.

**Mounting** Terminal block: 1x3x2.5mm<sup>2</sup>. Cable entries: 2x bottom + 2x rear entries for Ø 10-14.5mm cable or 2x rear entries for Ø 10-14.5mm cable. Looping: Approved, max. 3x1,5mm<sup>2</sup>.

**Weight** Max. 6kg.

**Class** Ingress protection IP23. Electric shock protection I w. ground.

Product Code	Light source	Finish	Class	Body
PH-W	1x100W E27	BRUSH COP	I	BOX W/O SIDE CABLE HOLES NOT APPLICABLE

**Specification notes**

The innovation of light sources is ongoing. Consequently we only inform about the max. wattages. On [www.louispuolsen.com](http://www.louispuolsen.com) we update a list of recommendable light sources.

**Info notes**

Please note that the copper surface is untreated in order to achieve a verdigris finish over time. This can result in an inconsistent surface finish prior to the product achieving full patina. This process might have begun already during stocking/ transportation.