

MERCER

Joan Gaspar & Javier M. Borrás, 2005



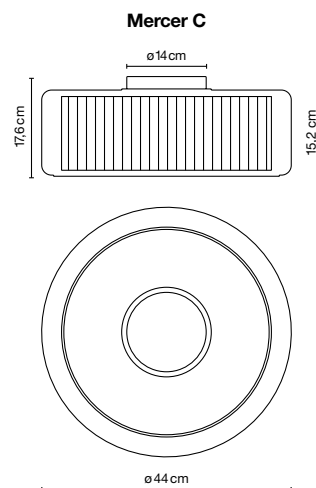
Cotton shade that floats inside a transparent blown glass structure.

- Black
- Natural
- Pearl white

⦿ 2x E27 HSGSA/C/UB 46W

⦿ 2x E27 LED Standard 8W

⦿ 2x E27 FBT 18W



Range

