

CALA

Joan Gaspar, 2012



Structure in painted iron or iroko wood.
A rotary moulded polyethylene shade is
enclosed in a zipped textile sleeve.

Structure

- Grey
- Dark iroko

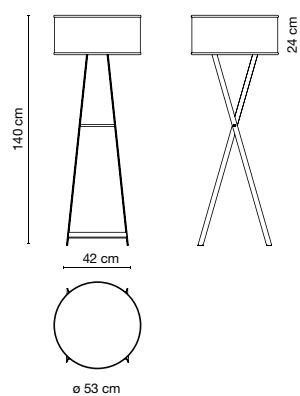
Shade

- Brown

☞ 2x E27 LED Standard 8W

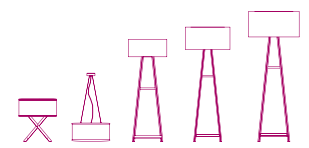
☞ 2x E27 FBT 18W

Cala 140 IP65



IP65

Range



CALA

Joan Gaspar, 2012



Structure in iroko wood. A rotary moulded polyethylene shade is enclosed in a zipped textile sleeve.

Structure

● Dark iroko

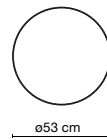
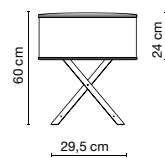
Shade

● Brown

⦿ 2x E27 LED Standard 8W

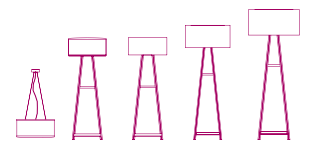
⦿ 2x E27 FBT 18W

Cala S IP65



IP65

Range



CALA

Joan Gaspar, 2012



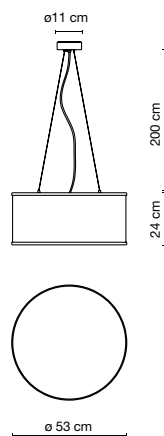
A rotary moulded polyethylene shade is enclosed in a zipped textile sleeve.

● Brown

💡 2x E27 LED Standard 8W

💡 2x E27 FBT 18W

Cala Susp IP65



IP65

Range

