

microNET xT

WITH SWITCH

LED POWERED ALUMINIUM PROFILE FOR SURFACE MOUNTING COMPLETE WITH END CAPS, POLYCARBONATE SCREEN AND SWITCH.

TECHNICAL DATA

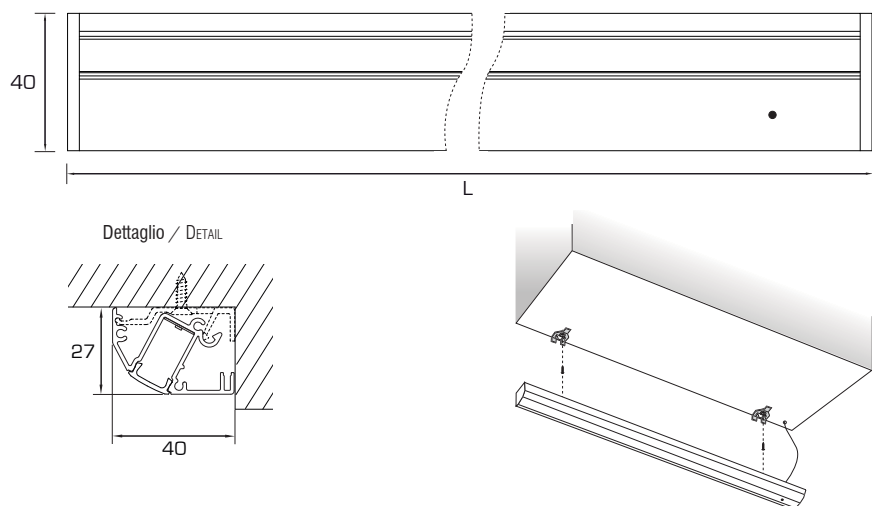
LIGHT SOURCE
PHOTOBIOLOGICAL
CERTIFICATION
COLOR TEMPERATURE(K)

VOLTAGE
Driver
CABLE LENGTH
SWITCHING SYSTEM



PHOTOBIOLOGICAL CERTIFICATION CLASS 0

CE PG M M V IP40



FIXING CLIPS

DIMENSIONS IN MILLIMETERS (MM)

FINISH	PART No.			
	L = 450 W = 5.76	L = 500 W = 7.20	L = 600 W = 8.64	L = 700 W = 10.08
ALUMINIUM	169X0450N2	169X0500N2	169X0600N2	169X0700N2

PART No.				
L = 800 W = 11.52	L = 900 W = 12.96	L = 1000 W = 14.40	L = 1100 W = 15.84	L = 1200 W = 17.28
169X0800N2	169X0900N2	169X1000N2	169X1100N2	169X1200N2